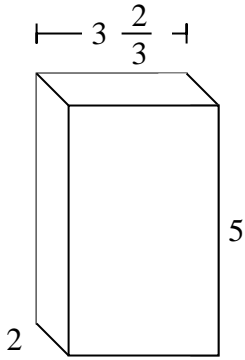


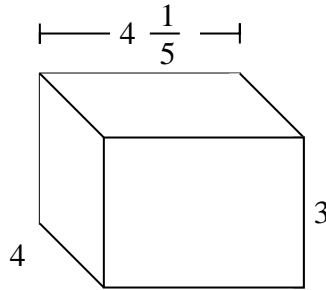


Fill each rectangular prism with cubes to determine the volume. Each prism's unit is measured in cm (not to scale).

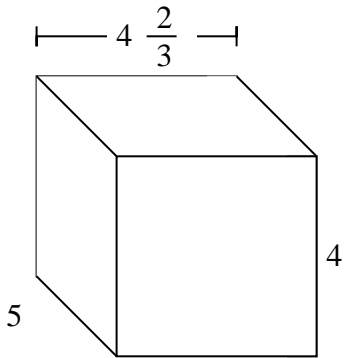
Ex)



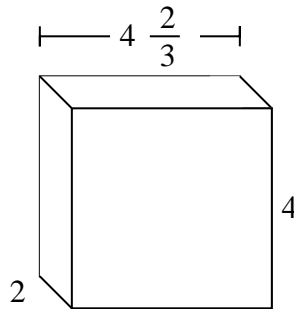
1)



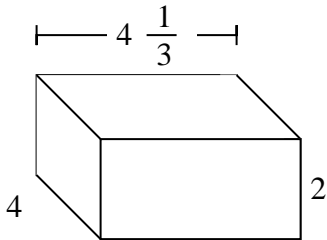
2)



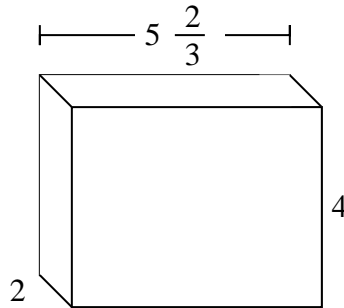
3)



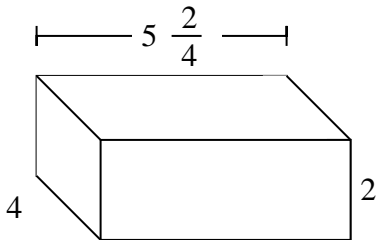
4)



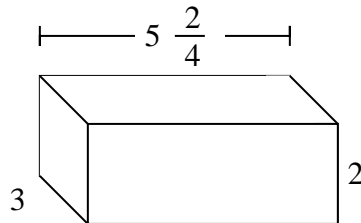
5)



6)



7)

AnswersEx. $36\frac{2}{3}$ cm

1. _____

2. _____

3. _____

4. _____

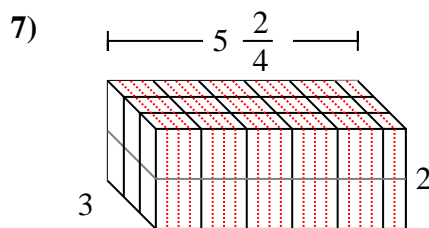
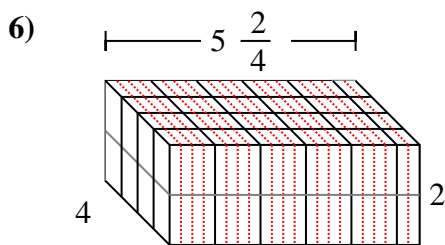
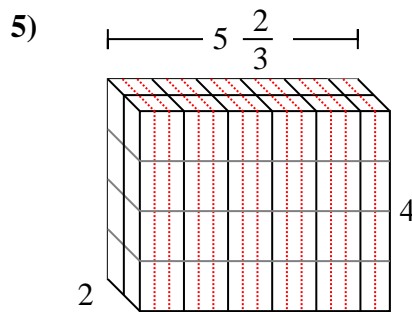
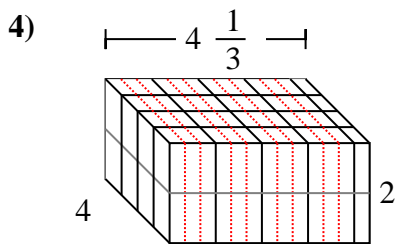
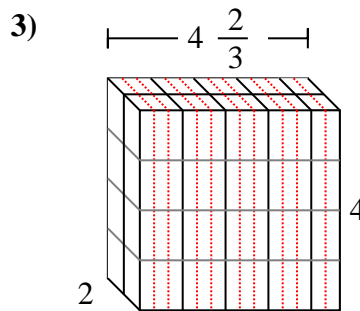
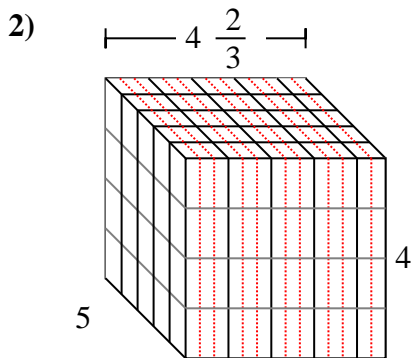
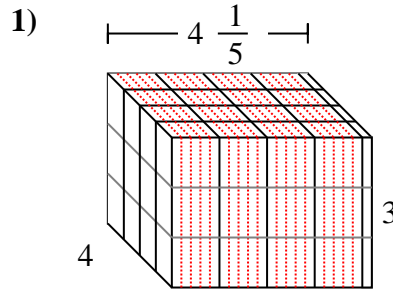
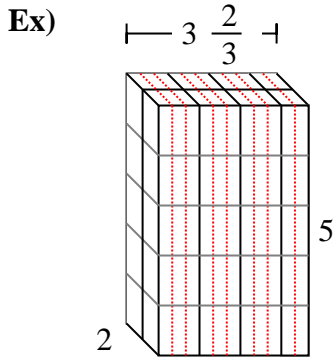
5. _____

6. _____

7. _____



Fill each rectangular prism with cubes to determine the volume. Each prism's unit is measured in cm (not to scale).

**Answers**

Ex. $36 \frac{2}{3} \text{ cm}$

1. $50 \frac{2}{5} \text{ cm}$

2. $93 \frac{1}{3} \text{ cm}$

3. $37 \frac{1}{3} \text{ cm}$

4. $34 \frac{2}{3} \text{ cm}$

5. $45 \frac{1}{3} \text{ cm}$

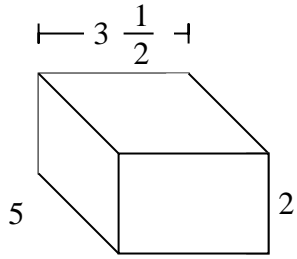
6. 44 cm

7. 33 cm

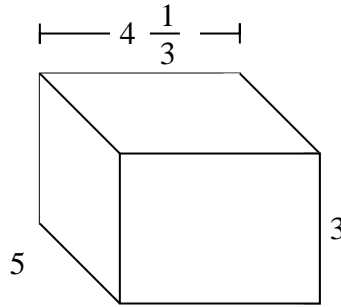


Fill each rectangular prism with cubes to determine the volume. Each prism's unit is measured in cm (not to scale).

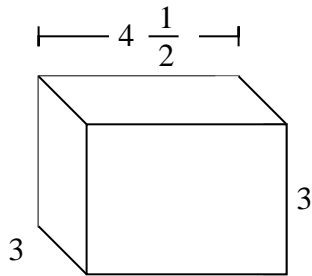
Ex)



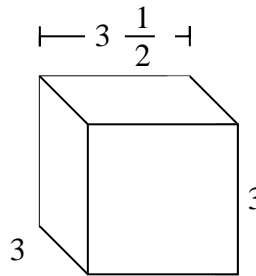
1)



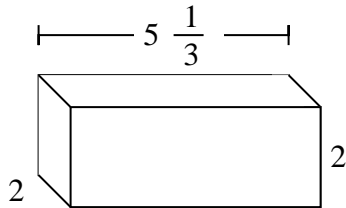
2)



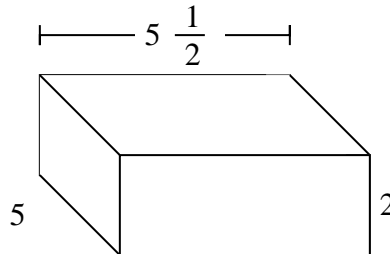
3)



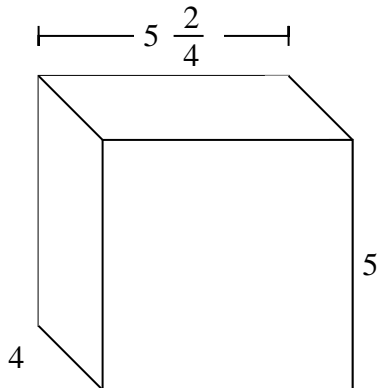
4)



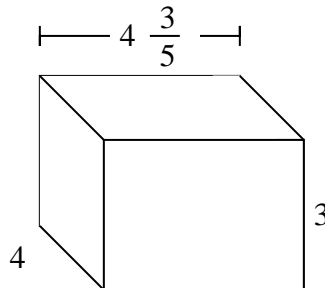
5)



6)



7)

AnswersEx. 35 cm

1. _____

2. _____

3. _____

4. _____

5. _____

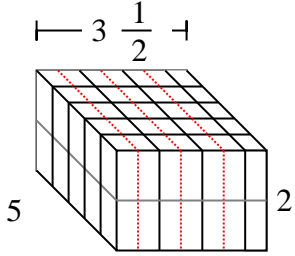
6. _____

7. _____

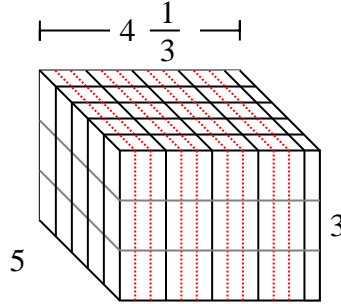


Fill each rectangular prism with cubes to determine the volume. Each prism's unit is measured in cm (not to scale).

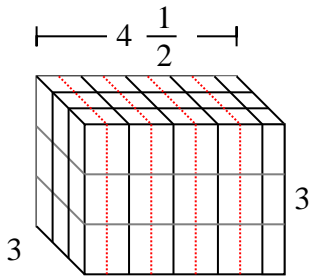
Ex)



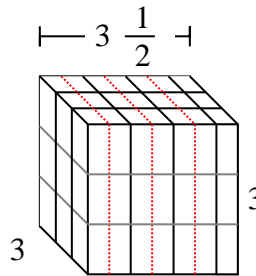
1)

Ex. 35 cm1. 65 cm2. 40 1/2 cm3. 31 1/2 cm4. 21 1/3 cm5. 55 cm6. 110 cm7. 55 1/5 cm

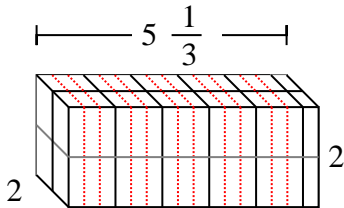
2)



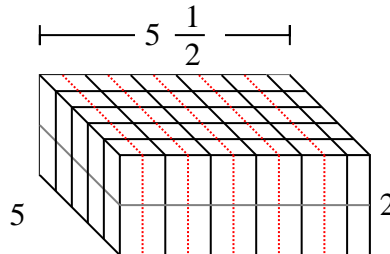
3)



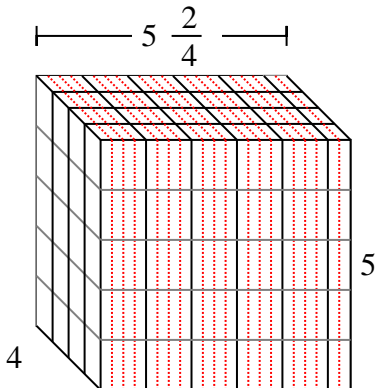
4)



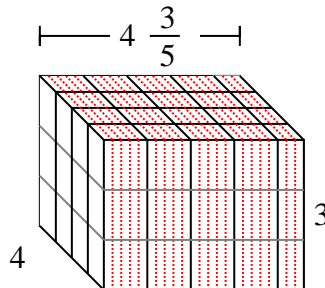
5)



6)



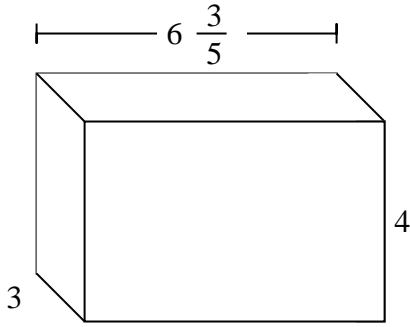
7)



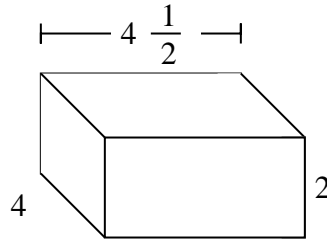


Fill each rectangular prism with cubes to determine the volume. Each prism's unit is measured in cm (not to scale).

Ex)



1)

Ex. $79\frac{1}{5}$ cm

1. _____

2. _____

3. _____

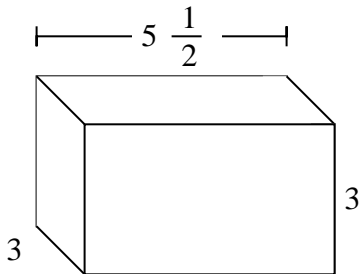
4. _____

5. _____

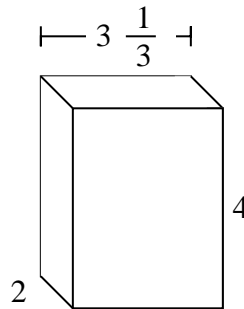
6. _____

7. _____

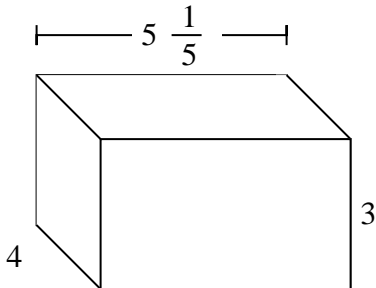
2)



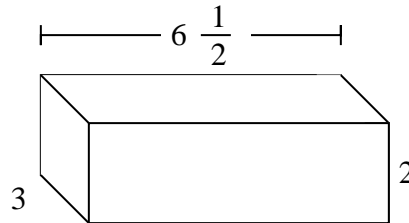
3)



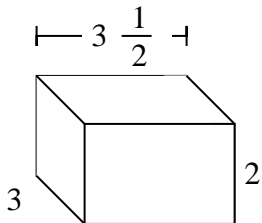
4)



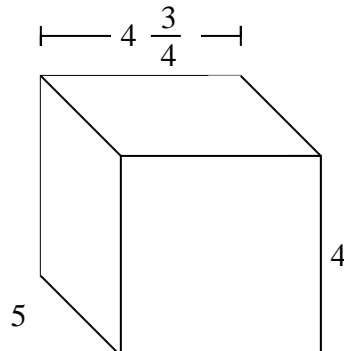
5)



6)



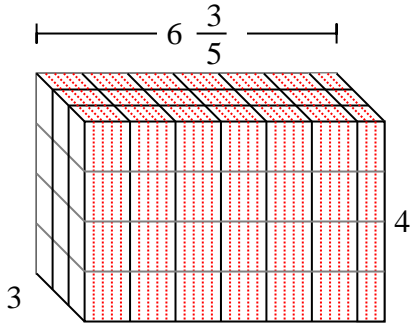
7)



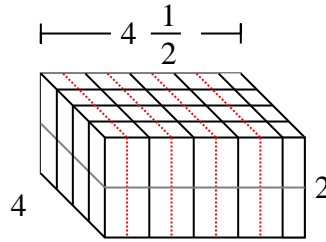


Fill each rectangular prism with cubes to determine the volume. Each prism's unit is measured in cm (not to scale).

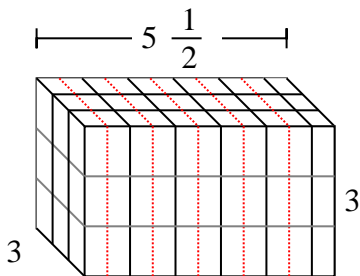
Ex)



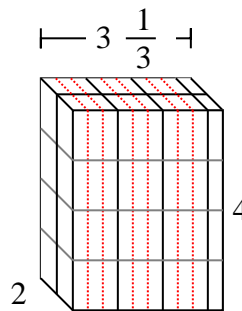
1)

AnswersEx. $79 \frac{1}{5} \text{ cm}$ 1. 36 cm 2. $49 \frac{1}{2} \text{ cm}$ 3. $26 \frac{2}{3} \text{ cm}$ 4. $62 \frac{2}{5} \text{ cm}$ 5. 39 cm 6. 21 cm 7. 95 cm

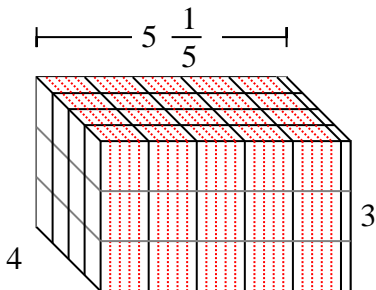
2)



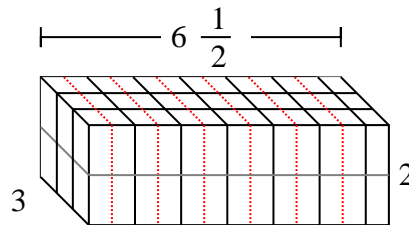
3)



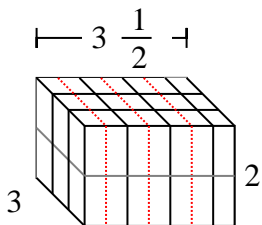
4)



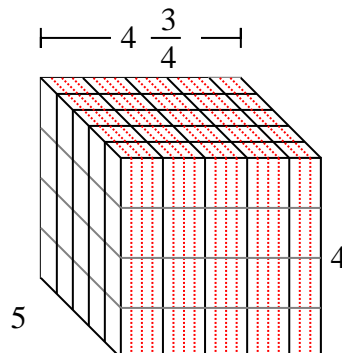
5)



6)



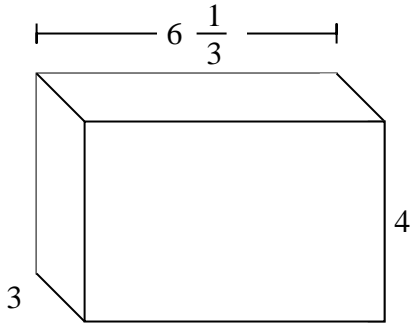
7)



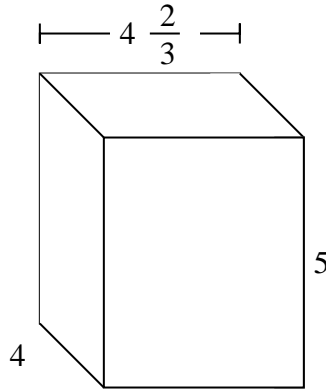


Fill each rectangular prism with cubes to determine the volume. Each prism's unit is measured in cm (not to scale).

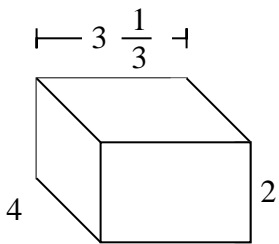
Ex)



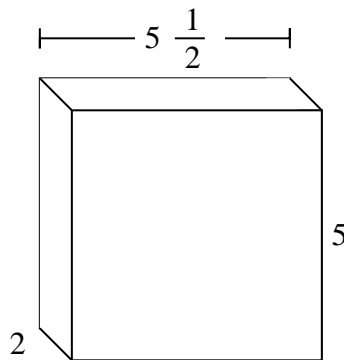
1)



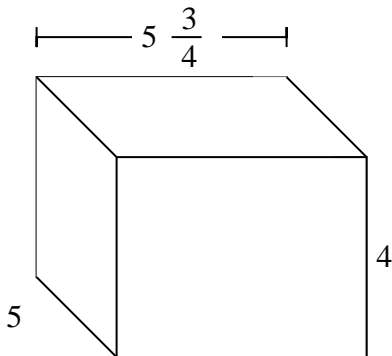
2)



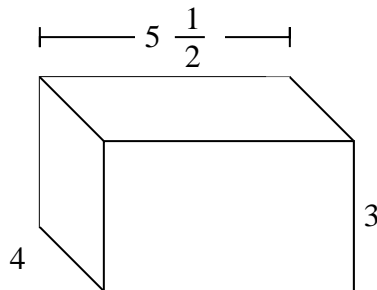
3)



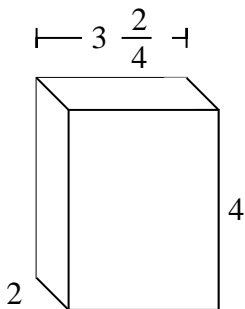
4)



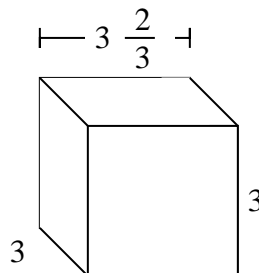
5)



6)



7)

AnswersEx. **76 cm**

1. _____

2. _____

3. _____

4. _____

5. _____

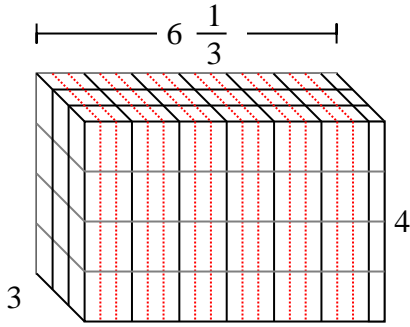
6. _____

7. _____

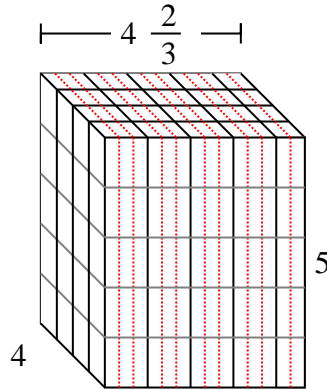


Fill each rectangular prism with cubes to determine the volume. Each prism's unit is measured in cm (not to scale).

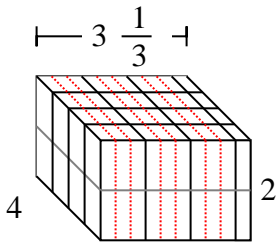
Ex)



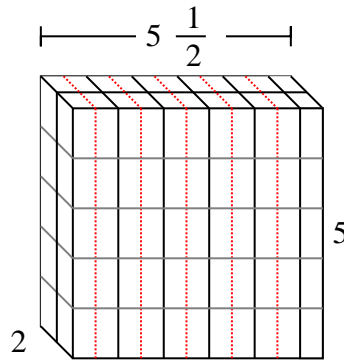
1)

Ex. 76 cm

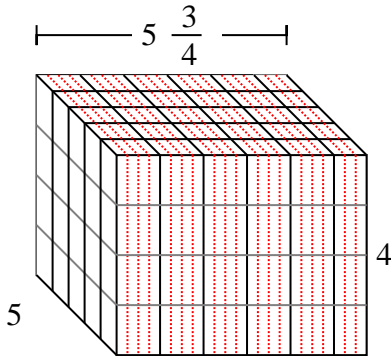
2)



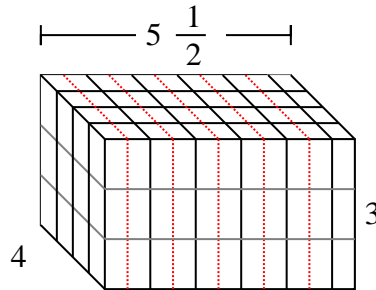
3)

1. 93 1/3 cm2. 26 2/3 cm3. 55 cm4. 115 cm

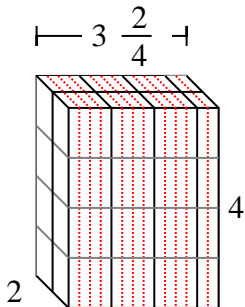
4)



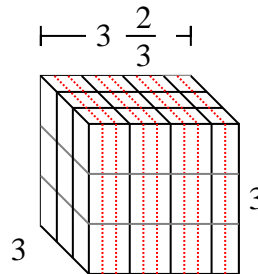
5)

5. 66 cm6. 28 cm7. 33 cm

6)



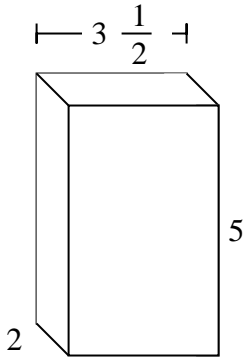
7)



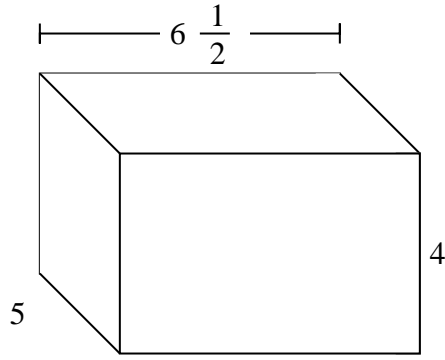


Fill each rectangular prism with cubes to determine the volume. Each prism's unit is measured in cm (not to scale).

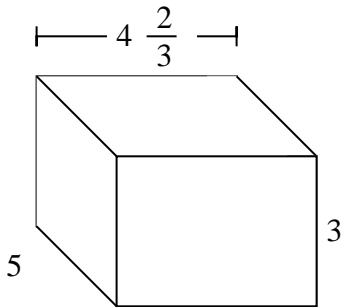
Ex)



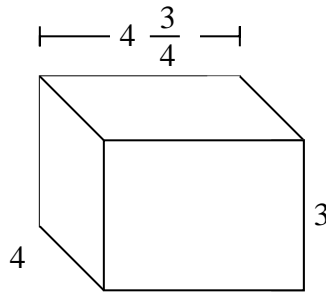
1)



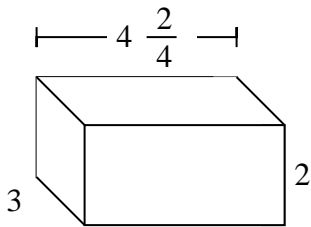
2)



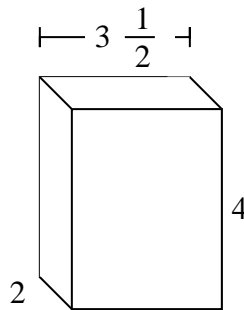
3)



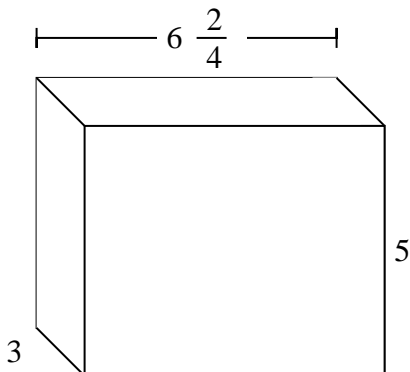
4)



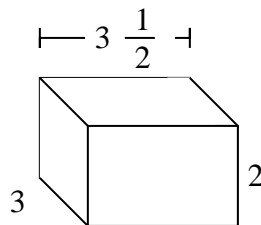
5)



6)



7)

AnswersEx. 35 cm

1. _____

2. _____

3. _____

4. _____

5. _____

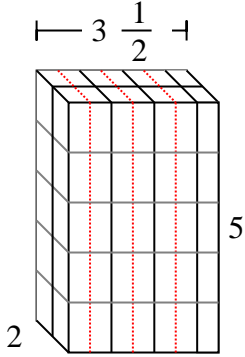
6. _____

7. _____

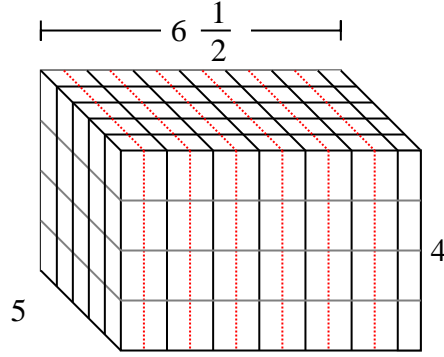


Fill each rectangular prism with cubes to determine the volume. Each prism's unit is measured in cm (not to scale).

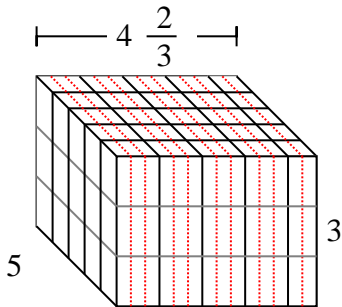
Ex)



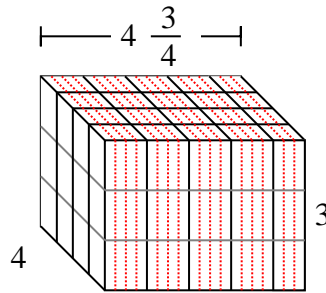
1)



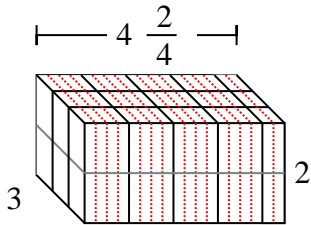
2)



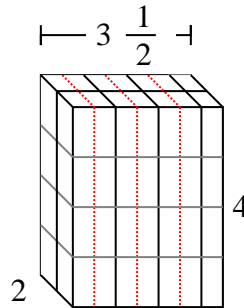
3)



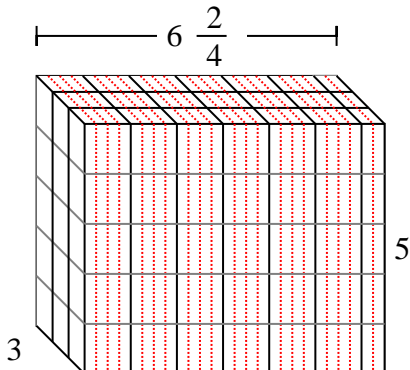
4)



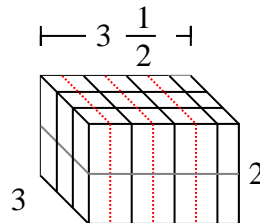
5)



6)



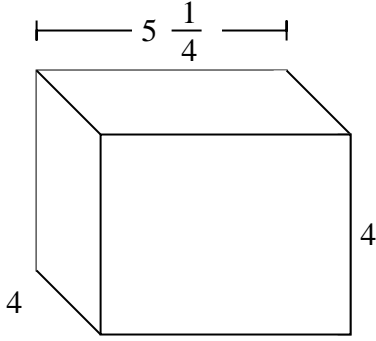
7)

AnswersEx. 35 cm1. 130 cm2. 70 cm3. 57 cm4. 27 cm5. 28 cm6. 97 ²/₄ cm7. 21 cm

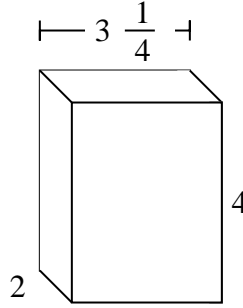


Fill each rectangular prism with cubes to determine the volume. Each prism's unit is measured in cm (not to scale).

Ex)



1)



Answers

Ex. **84 cm**

1. _____

2. _____

3. _____

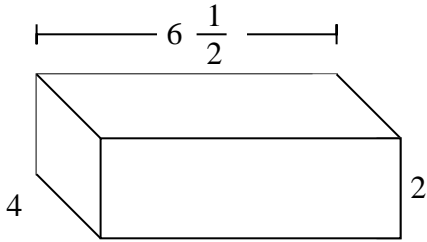
4. _____

5. _____

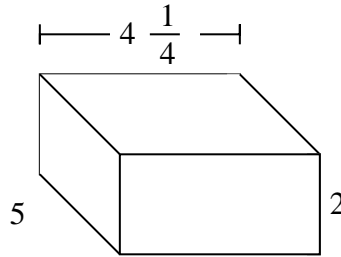
6. _____

7. _____

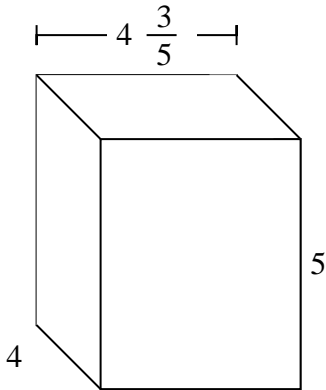
2)



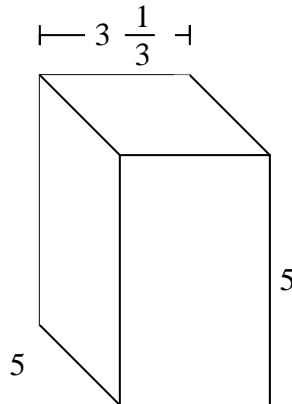
3)



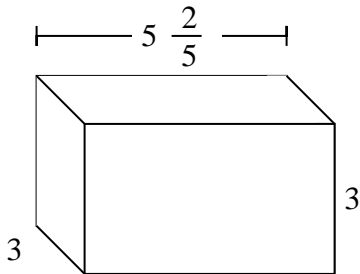
4)



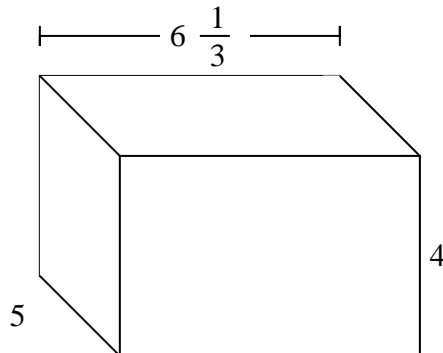
5)



6)



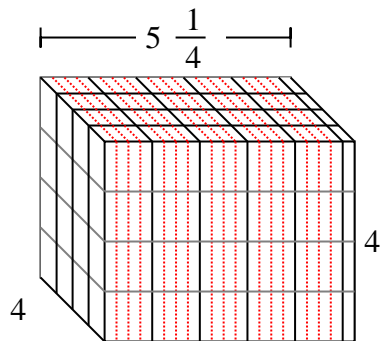
7)



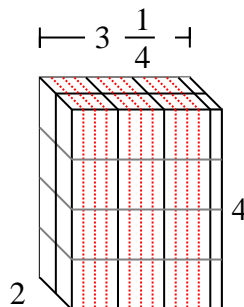


Fill each rectangular prism with cubes to determine the volume. Each prism's unit is measured in cm (not to scale).

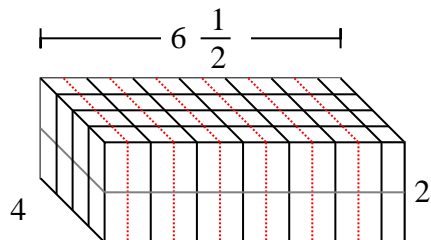
Ex)



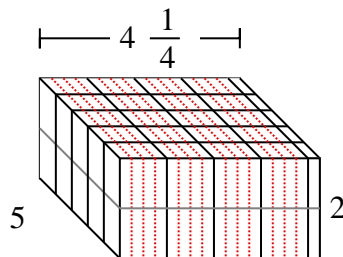
1)



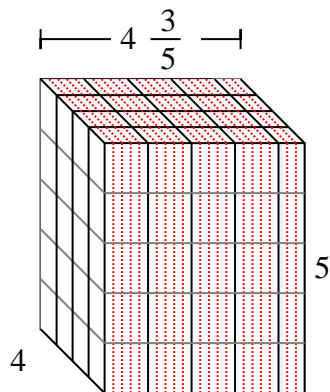
2)



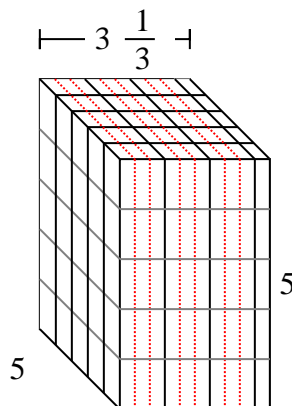
3)



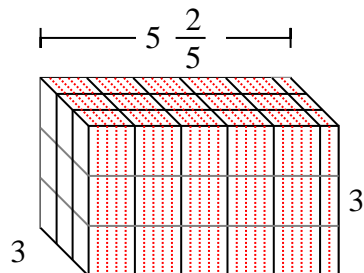
4)



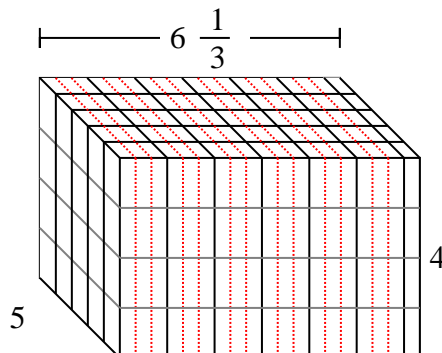
5)



6)



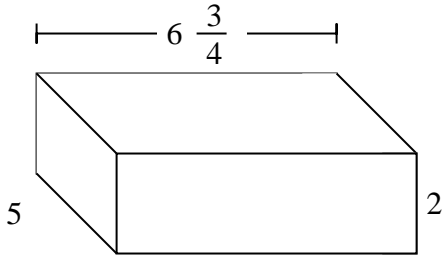
7)

AnswersEx. 84 cm1. 26 cm2. 52 cm3. $42 \frac{2}{4}$ cm4. 92 cm5. $83 \frac{1}{3}$ cm6. $48 \frac{3}{5}$ cm7. $126 \frac{2}{3}$ cm

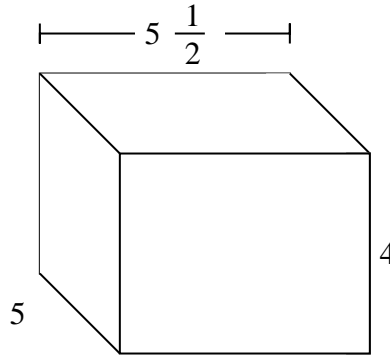


Fill each rectangular prism with cubes to determine the volume. Each prism's unit is measured in cm (not to scale).

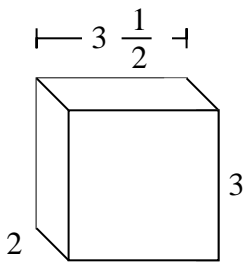
Ex)



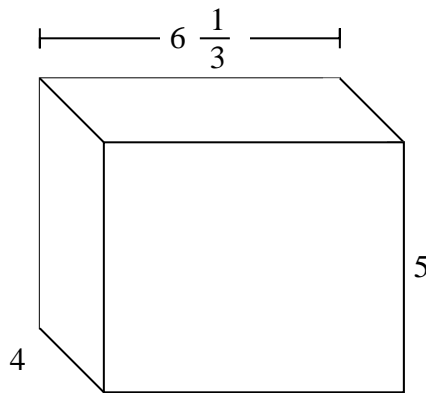
1)



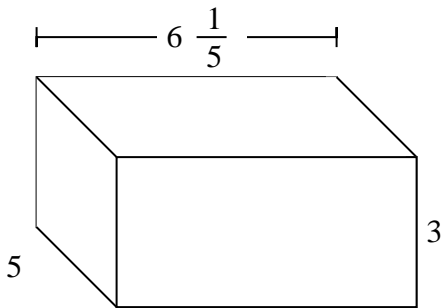
2)



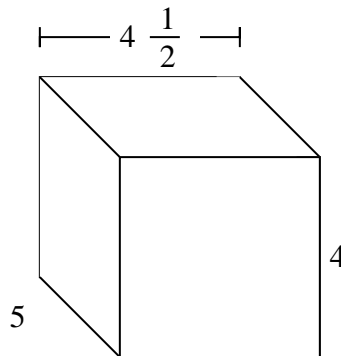
3)



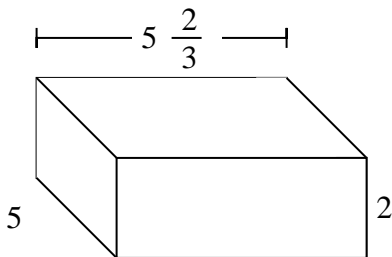
4)



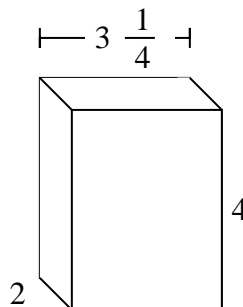
5)



6)



7)

AnswersEx. $67\frac{2}{4}$ cm

1. _____

2. _____

3. _____

4. _____

5. _____

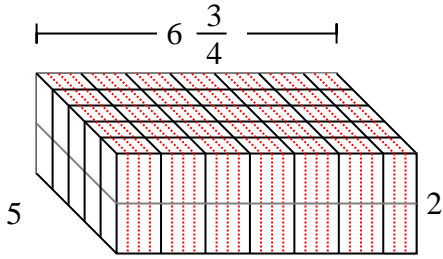
6. _____

7. _____

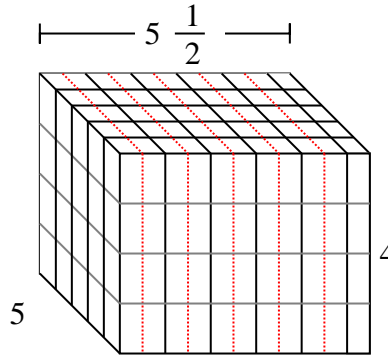


Fill each rectangular prism with cubes to determine the volume. Each prism's unit is measured in cm (not to scale).

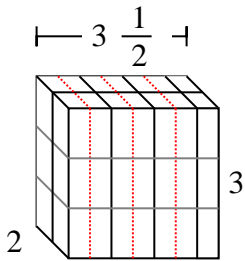
Ex)



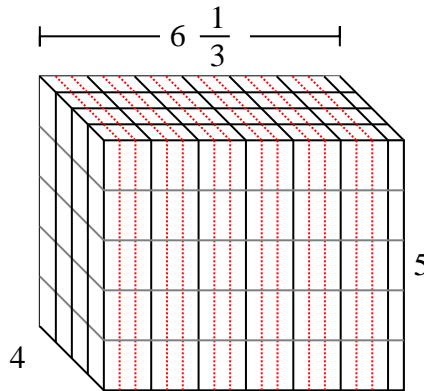
1)

Ex. $67 \frac{2}{4}$ cm1. 110 cm2. 21 cm3. $126 \frac{2}{3}$ cm4. 93 cm5. 90 cm6. $56 \frac{2}{3}$ cm7. 26 cm

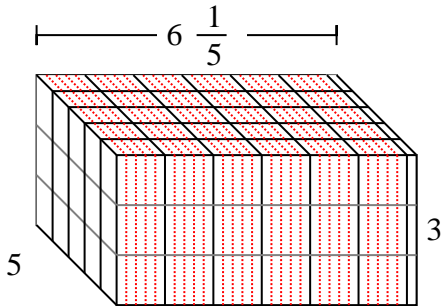
2)



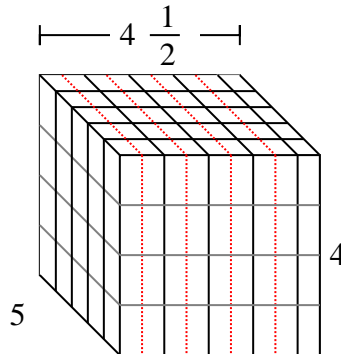
3)



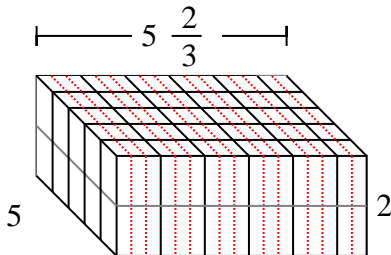
4)



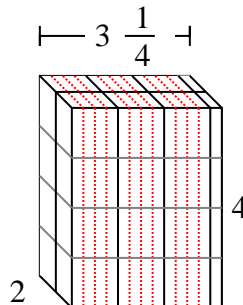
5)



6)



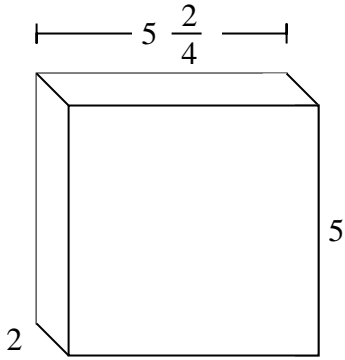
7)



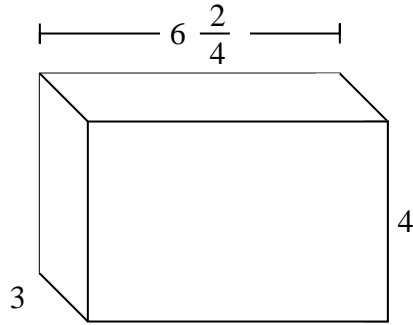


Fill each rectangular prism with cubes to determine the volume. Each prism's unit is measured in cm (not to scale).

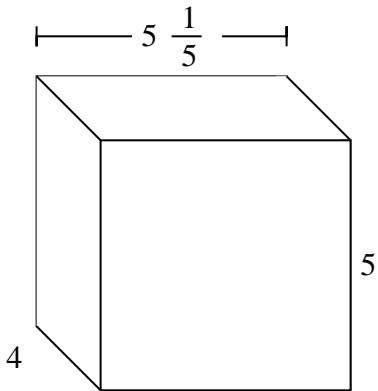
Ex)



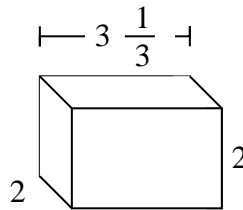
1)



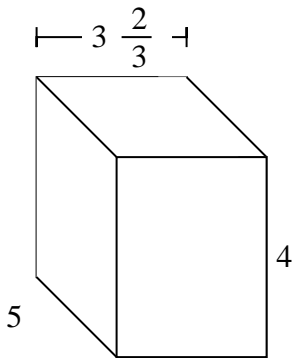
2)



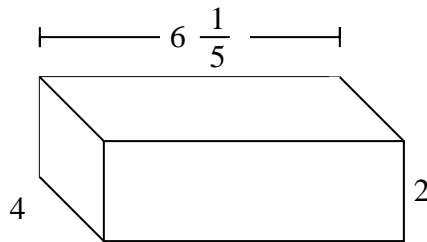
3)



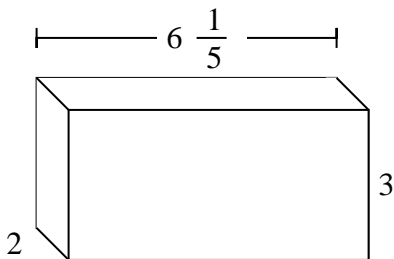
4)



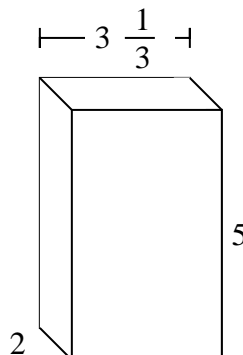
5)



6)



7)

AnswersEx. 55 cm

1. _____

2. _____

3. _____

4. _____

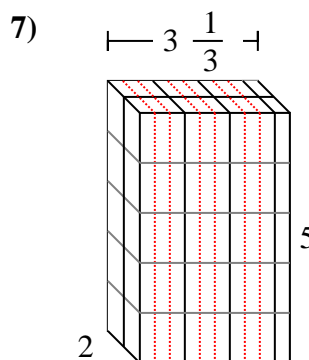
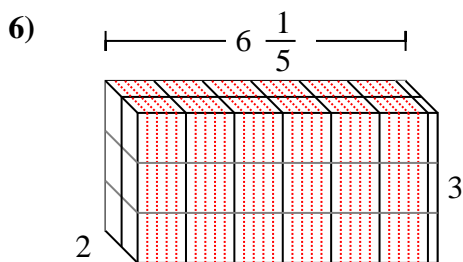
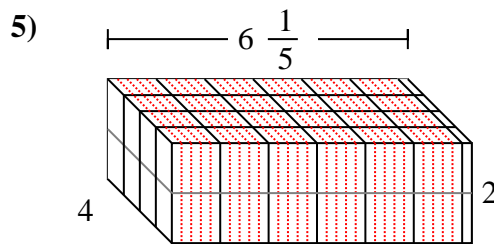
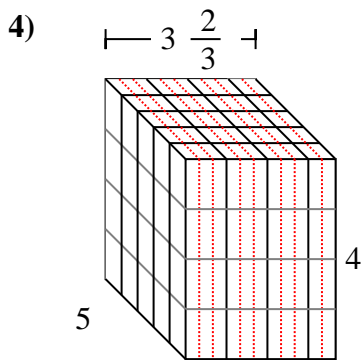
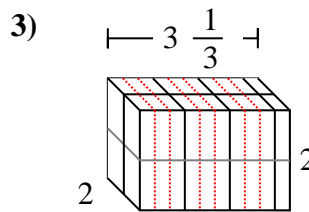
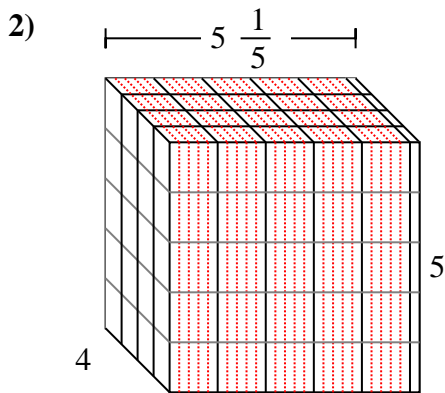
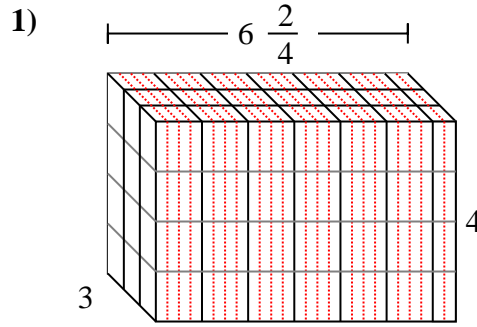
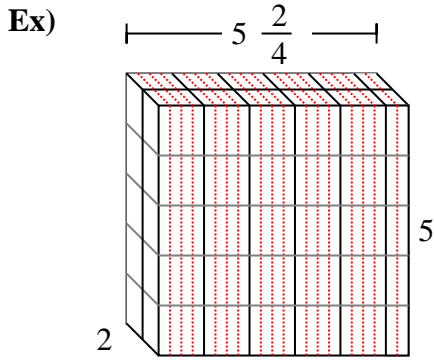
5. _____

6. _____

7. _____



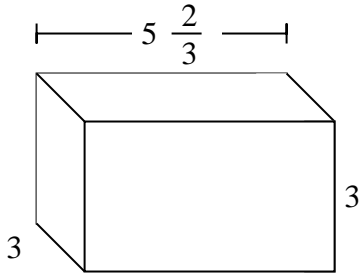
Fill each rectangular prism with cubes to determine the volume. Each prism's unit is measured in cm (not to scale).

AnswersEx. 55 cm1. 78 cm2. 104 cm3. $13 \frac{1}{3}$ cm4. $73 \frac{1}{3}$ cm5. $49 \frac{3}{5}$ cm6. $37 \frac{1}{5}$ cm7. $33 \frac{1}{3}$ cm

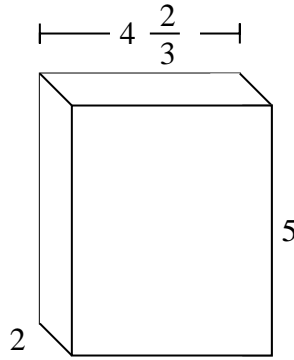


Fill each rectangular prism with cubes to determine the volume. Each prism's unit is measured in cm (not to scale).

Ex)



1)

Ex. **51 cm**

1. _____

2. _____

3. _____

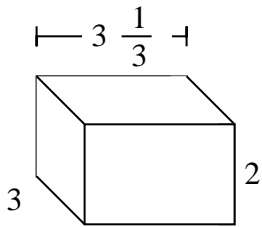
4. _____

5. _____

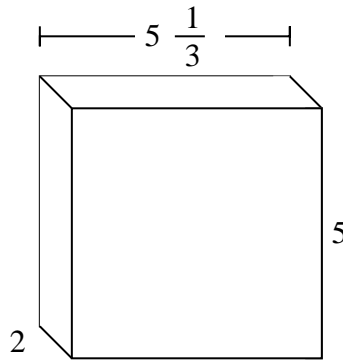
6. _____

7. _____

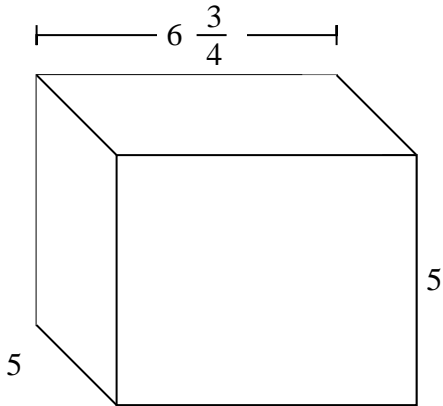
2)



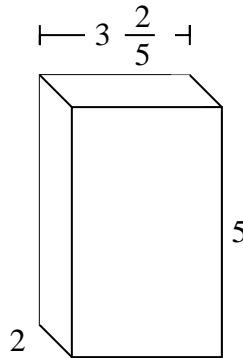
3)



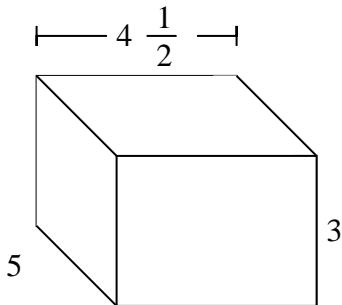
4)



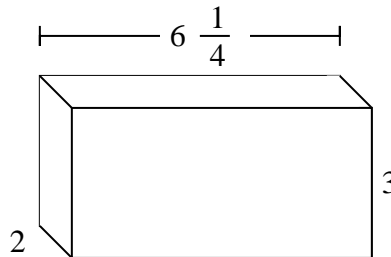
5)



6)



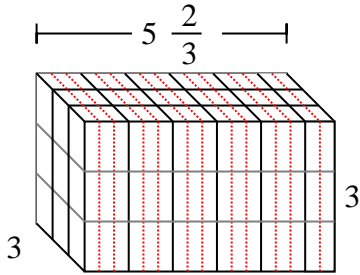
7)



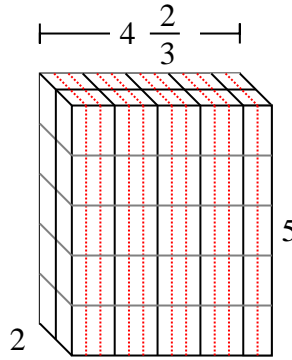


Fill each rectangular prism with cubes to determine the volume. Each prism's unit is measured in cm (not to scale).

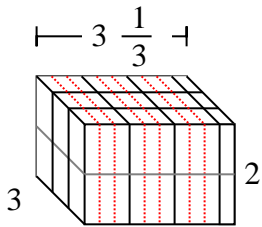
Ex)



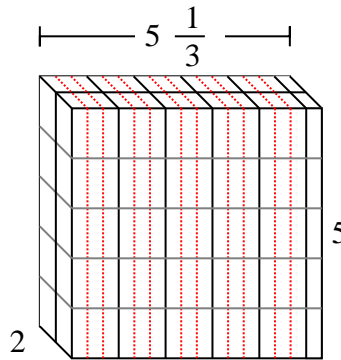
1)



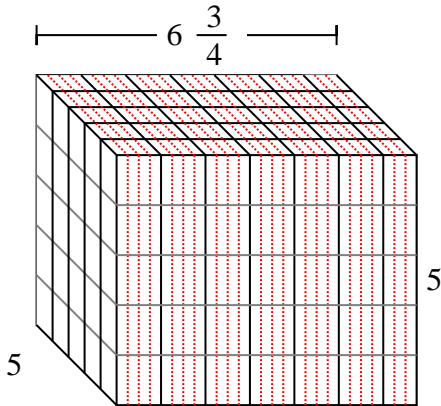
2)



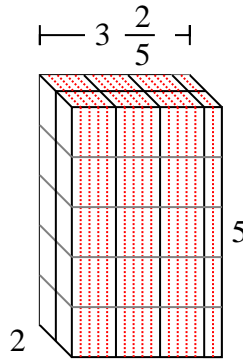
3)



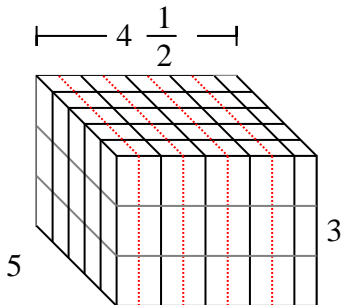
4)



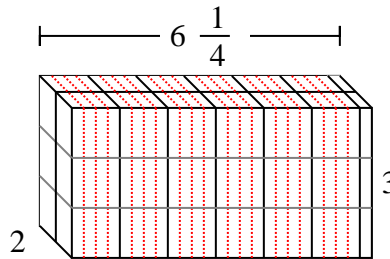
5)



6)



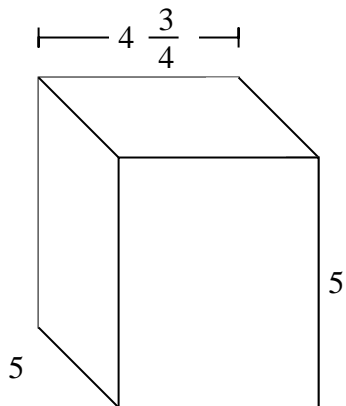
7)

AnswersEx. 51 cm1. $46 \frac{2}{3}$ cm2. 20 cm3. $53 \frac{1}{3}$ cm4. $168 \frac{3}{4}$ cm5. 34 cm6. $67 \frac{1}{2}$ cm7. $37 \frac{2}{4}$ cm

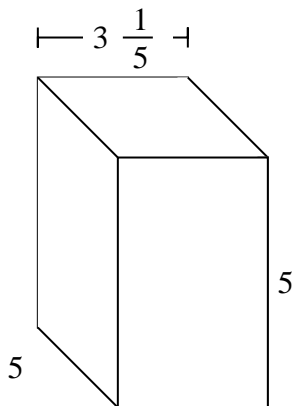


Fill each rectangular prism with cubes to determine the volume. Each prism's unit is measured in cm (not to scale).

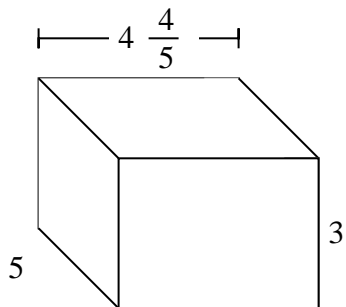
Ex)



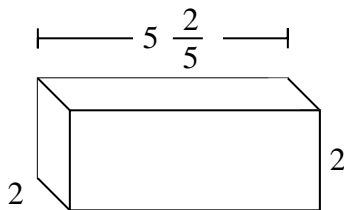
1)



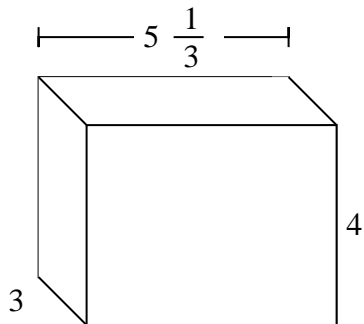
2)



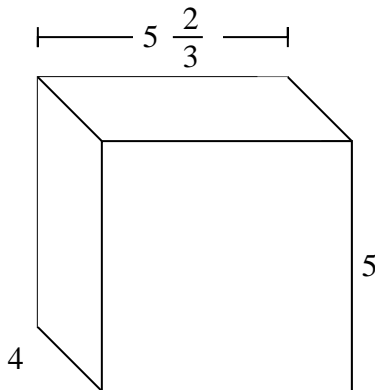
3)



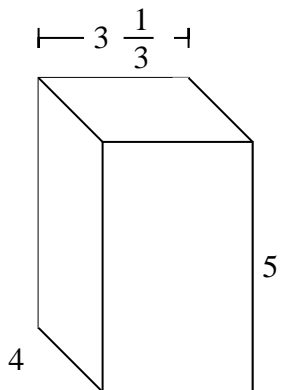
4)



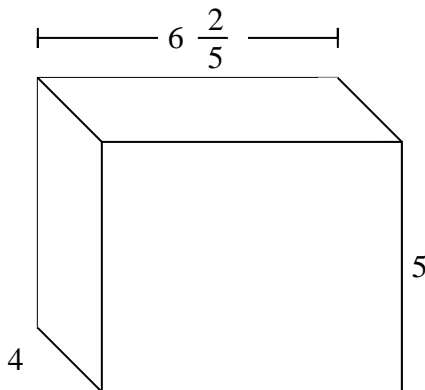
5)



6)



7)

AnswersEx. $118 \frac{3}{4}$ cm

1. _____

2. _____

3. _____

4. _____

5. _____

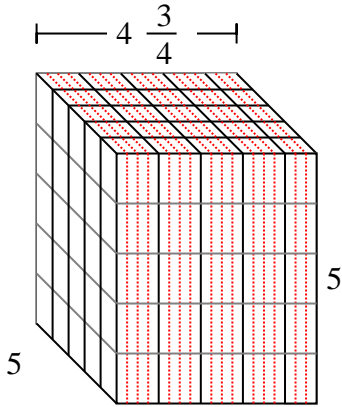
6. _____

7. _____

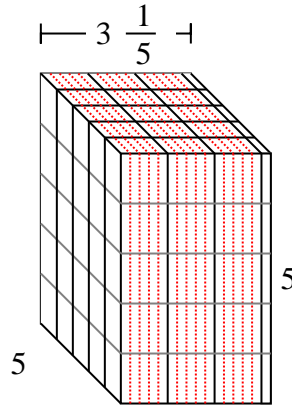


Fill each rectangular prism with cubes to determine the volume. Each prism's unit is measured in cm (not to scale).

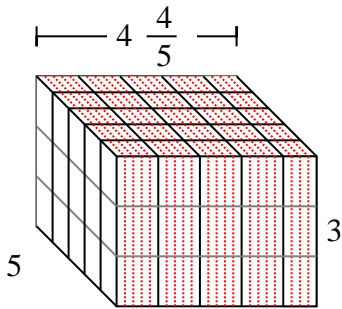
Ex)



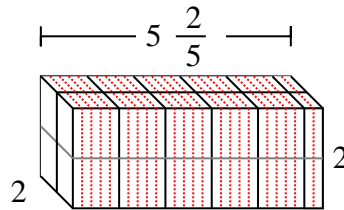
1)



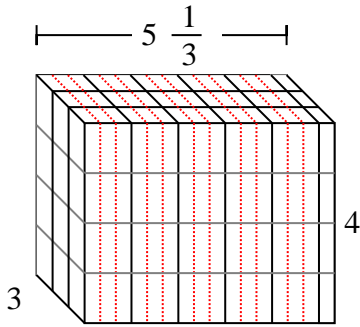
2)



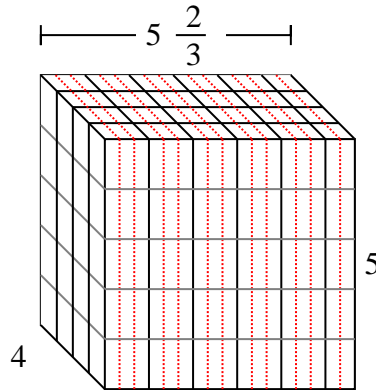
3)



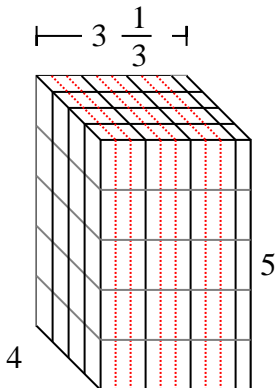
4)



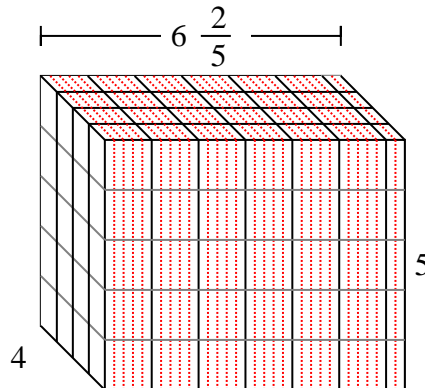
5)



6)



7)

AnswersEx. 118 $\frac{3}{4}$ cm1. 80 cm2. 72 cm3. 21 $\frac{3}{5}$ cm4. 64 cm5. 113 $\frac{1}{3}$ cm6. 66 $\frac{2}{3}$ cm7. 128 cm