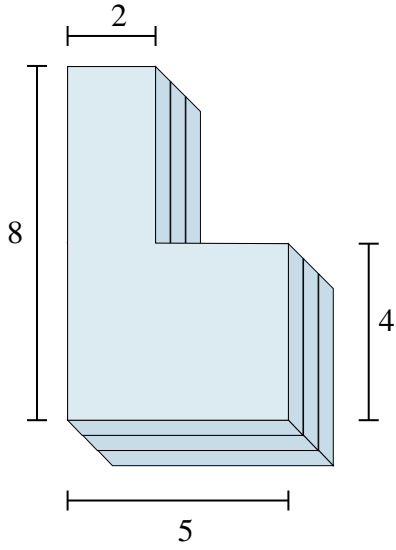




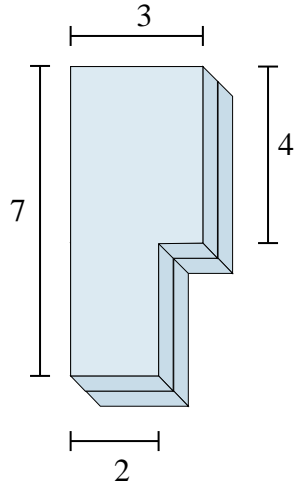
Find the total volume of each figure shown. Measured in cm (not to scale).

Answers

1)



2)



1. \_\_\_\_\_

2. \_\_\_\_\_

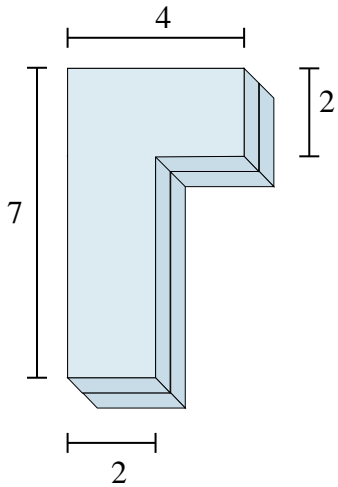
3. \_\_\_\_\_

4. \_\_\_\_\_

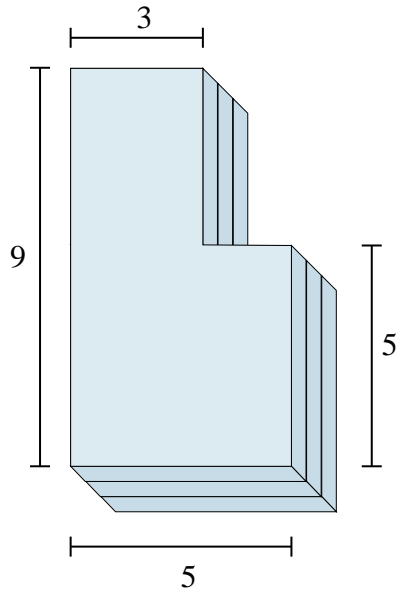
5. \_\_\_\_\_

6. \_\_\_\_\_

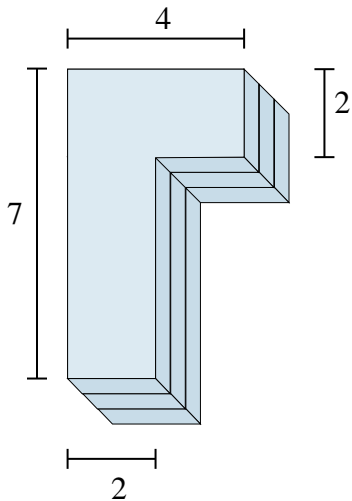
3)



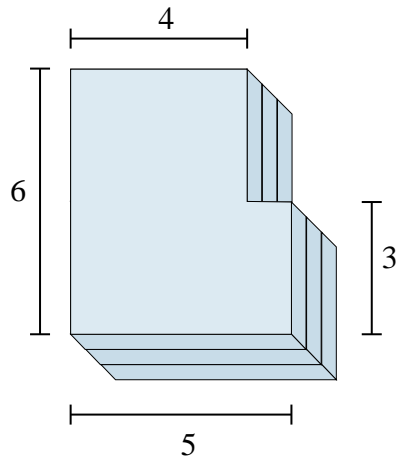
4)



5)

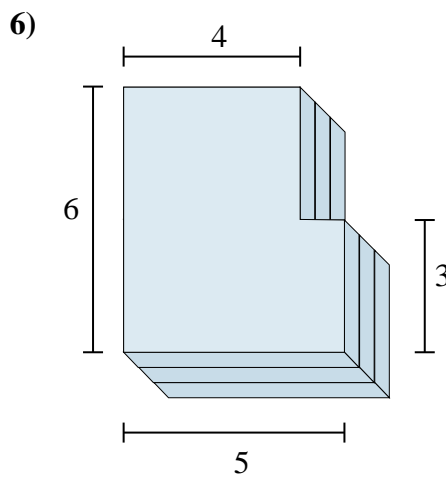
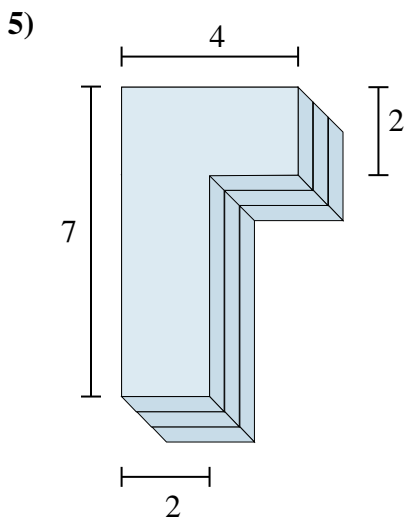
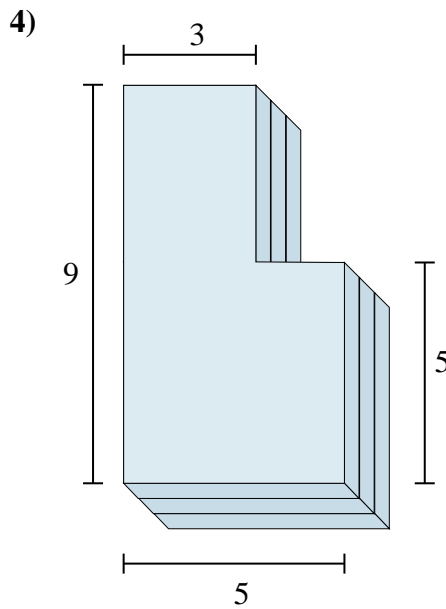
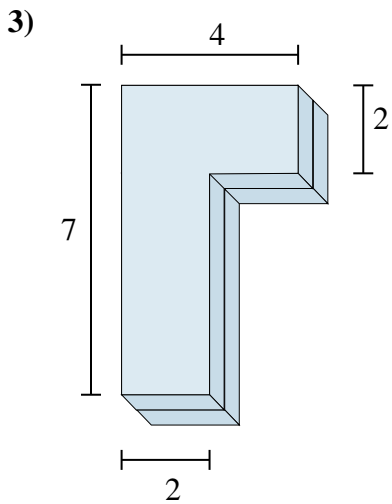
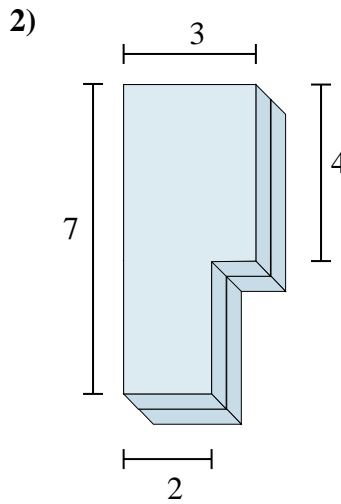
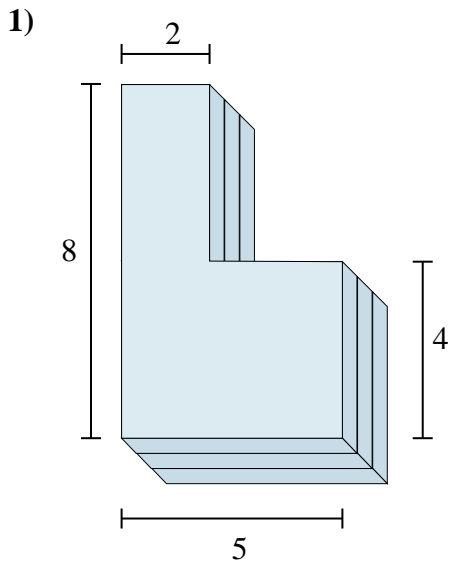


6)





Find the total volume of each figure shown. Measured in cm (not to scale).



Answers

1. 84 cm<sup>3</sup>

2. 36 cm<sup>3</sup>

3. 36 cm<sup>3</sup>

4. 111 cm<sup>3</sup>

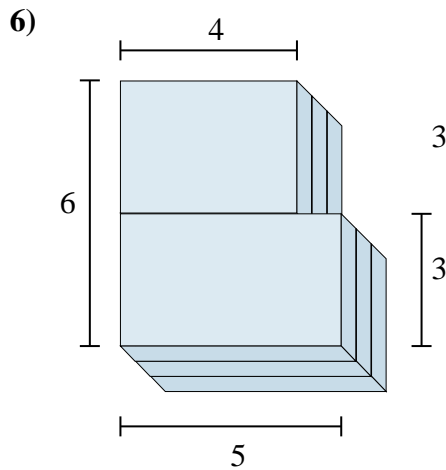
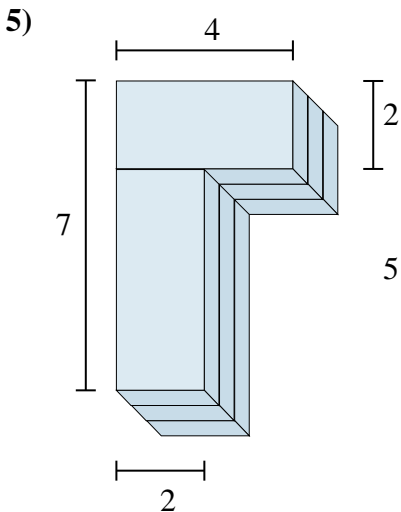
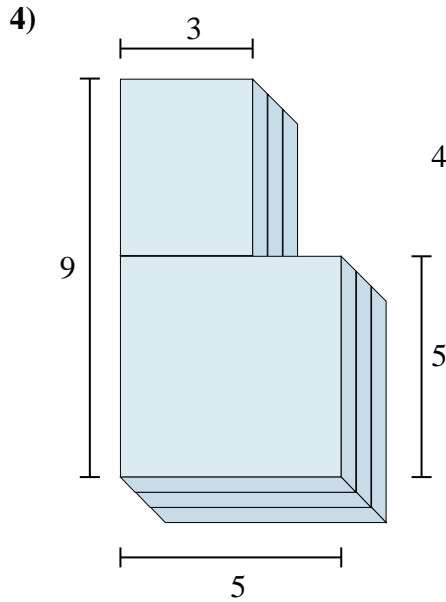
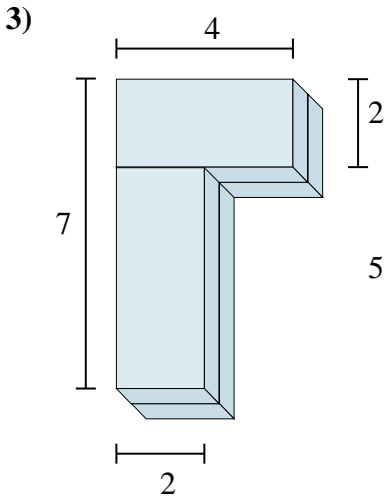
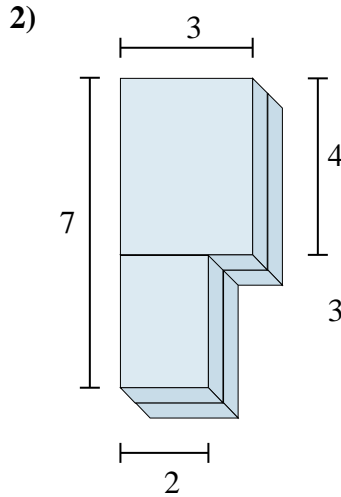
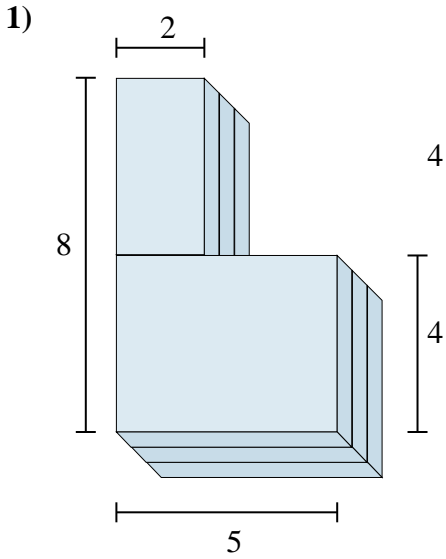
5. 54 cm<sup>3</sup>

6. 81 cm<sup>3</sup>



Find the total volume of each figure shown. Measured in cm (not to scale).

Answers



1. \_\_\_\_\_
2. \_\_\_\_\_
3. \_\_\_\_\_
4. \_\_\_\_\_
5. \_\_\_\_\_
6. \_\_\_\_\_