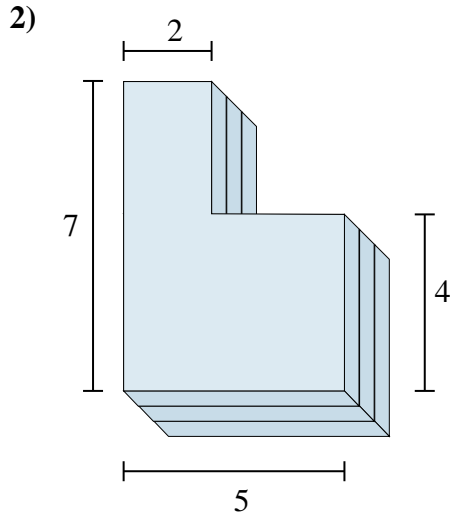
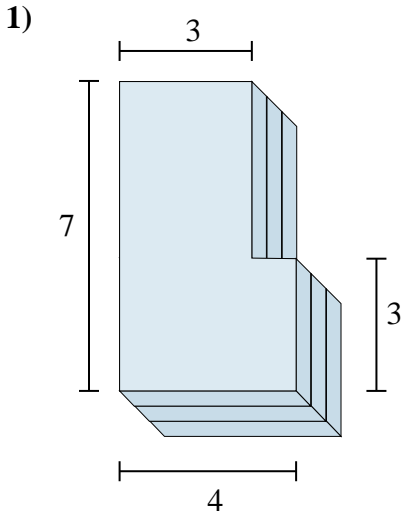




Find the total volume of each figure shown. Measured in cm (not to scale).

Answers



1. _____

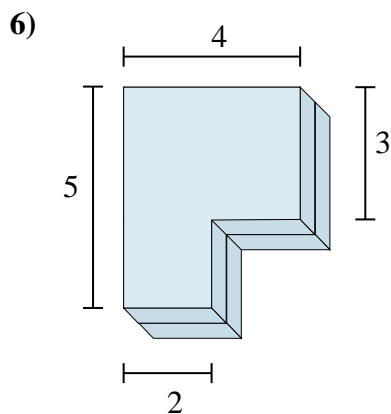
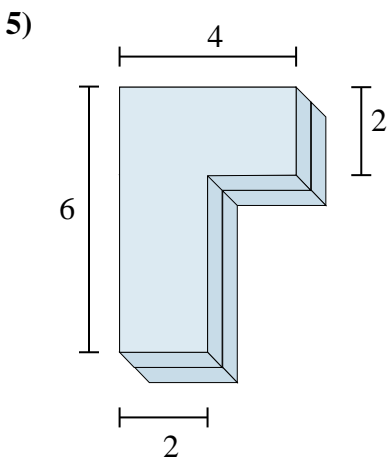
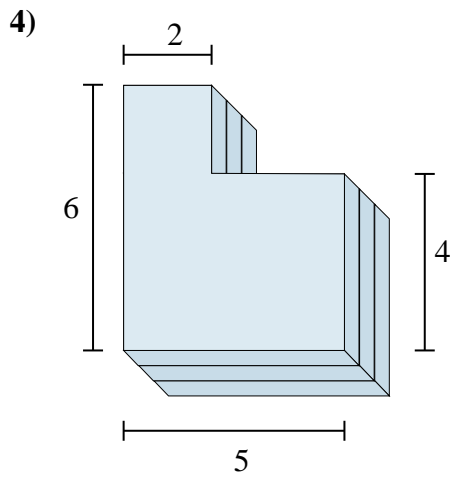
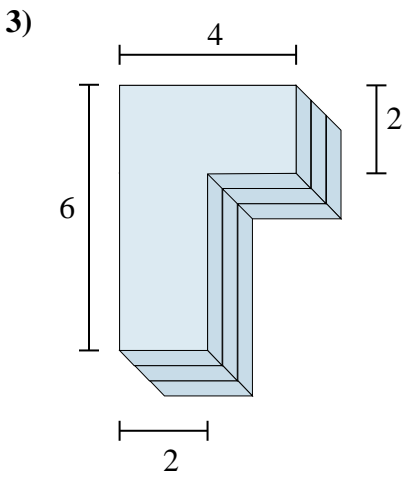
2. _____

3. _____

4. _____

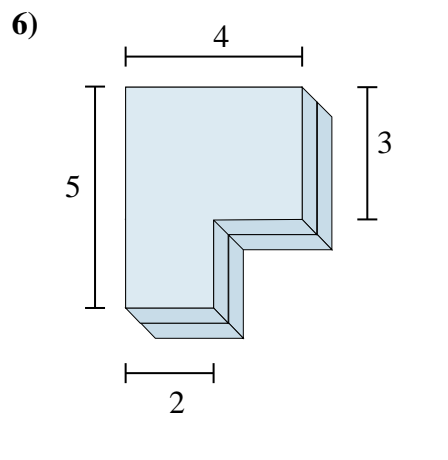
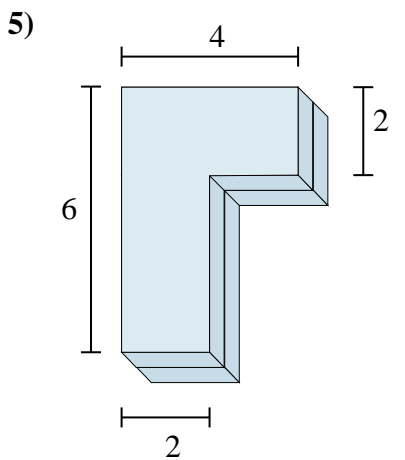
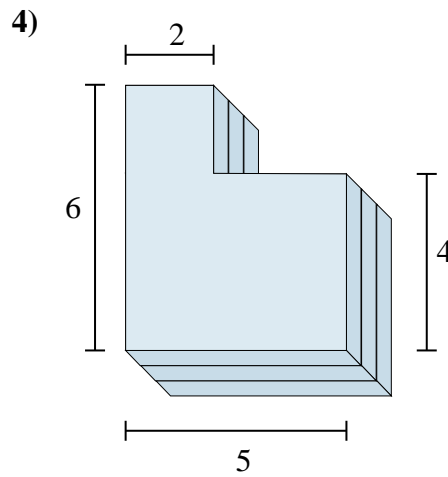
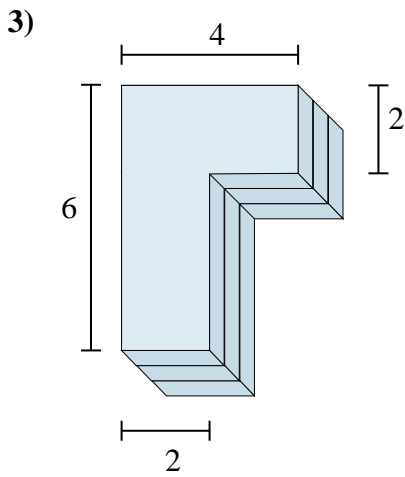
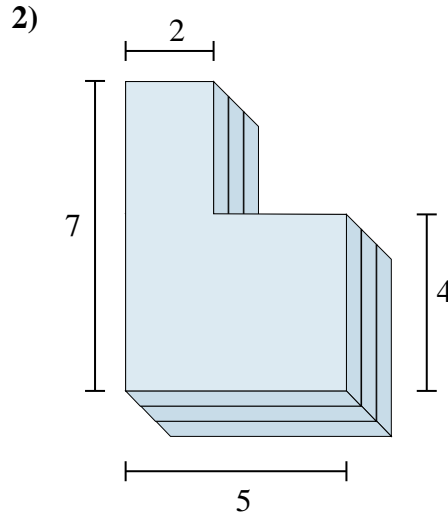
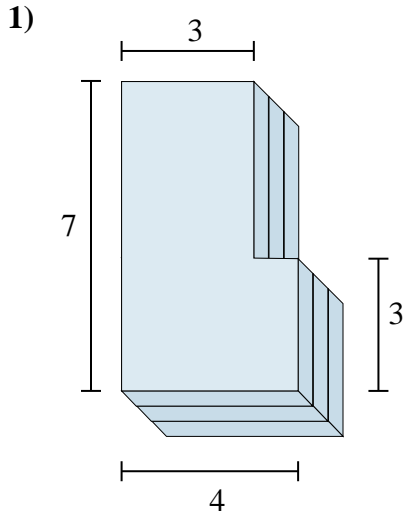
5. _____

6. _____





Find the total volume of each figure shown. Measured in cm (not to scale).



Answers

1. **72 cm³**

2. **78 cm³**

3. **48 cm³**

4. **72 cm³**

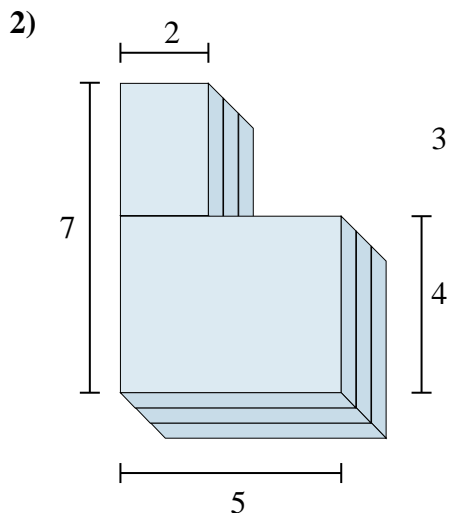
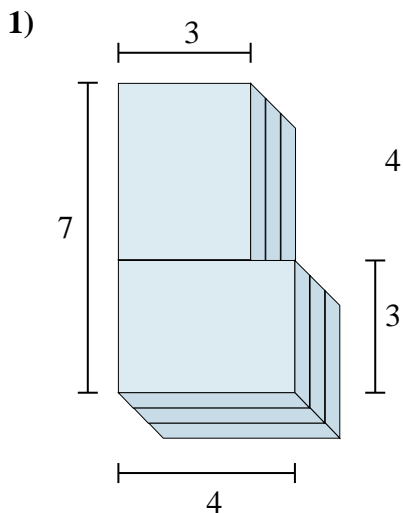
5. **32 cm³**

6. **32 cm³**

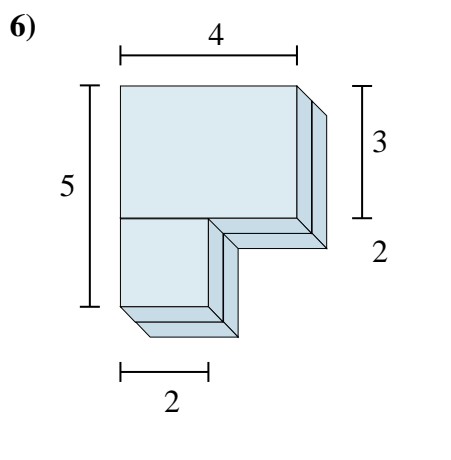
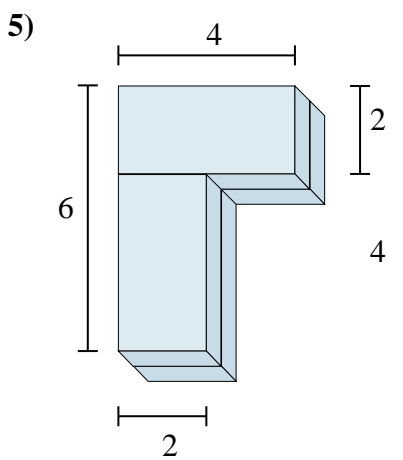
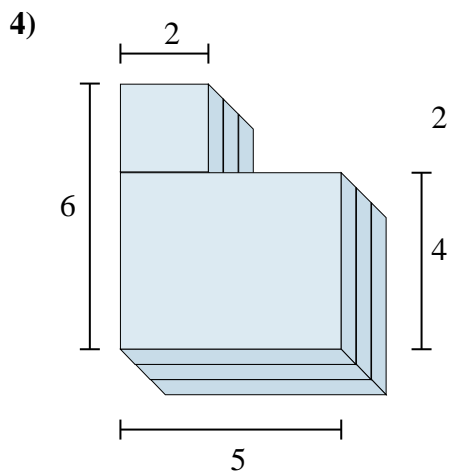
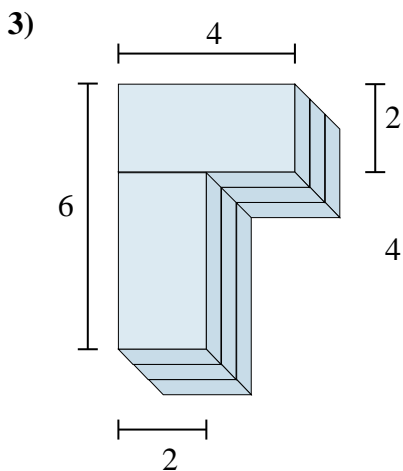


Find the total volume of each figure shown. Measured in cm (not to scale).

Answers



1. _____
2. _____
3. _____
4. _____
5. _____
6. _____

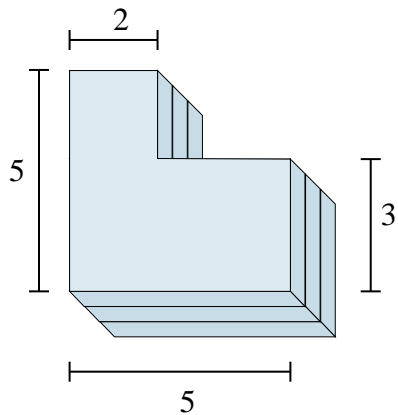




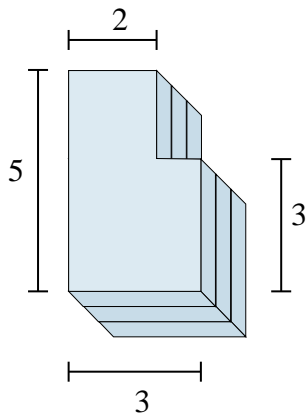
Find the total volume of each figure shown. Measured in cm (not to scale).

Answers

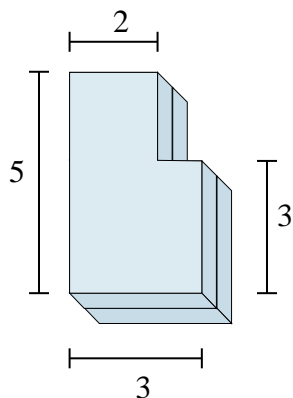
1)



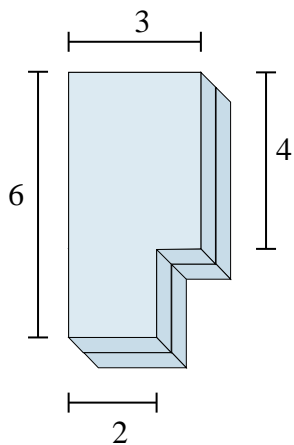
2)



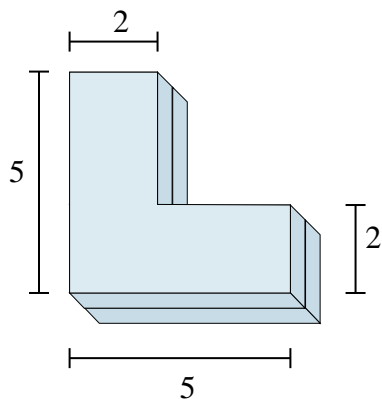
3)



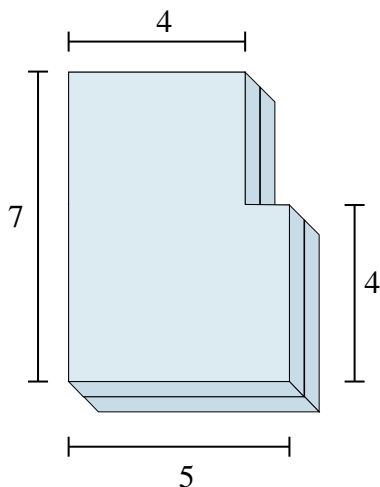
4)



5)



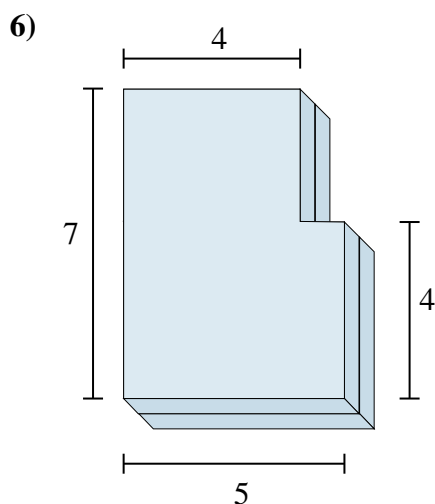
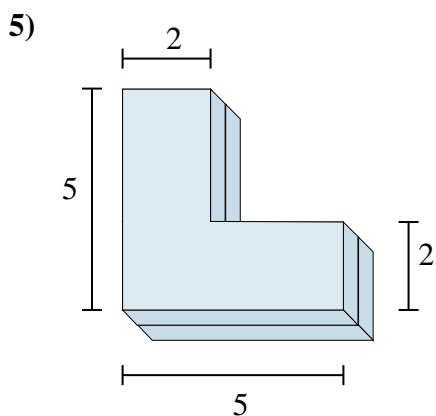
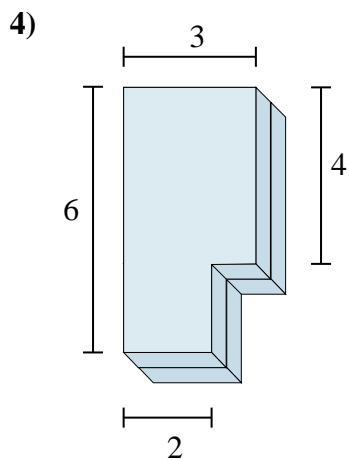
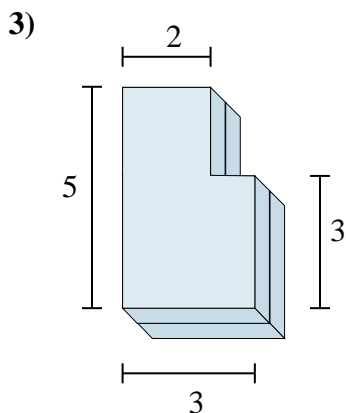
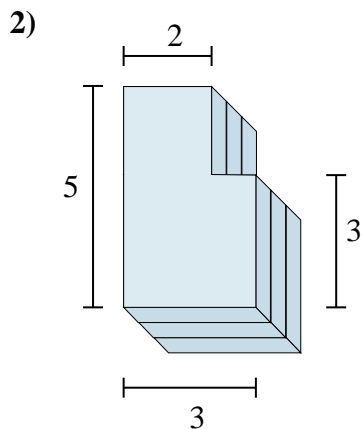
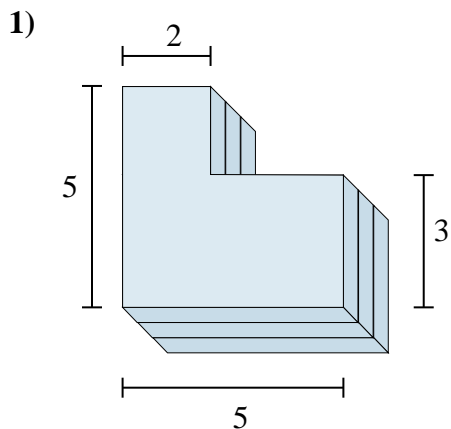
6)



- 1. _____
- 2. _____
- 3. _____
- 4. _____
- 5. _____
- 6. _____



Find the total volume of each figure shown. Measured in cm (not to scale).



Answers

1. 57 cm³

2. 39 cm³

3. 26 cm³

4. 32 cm³

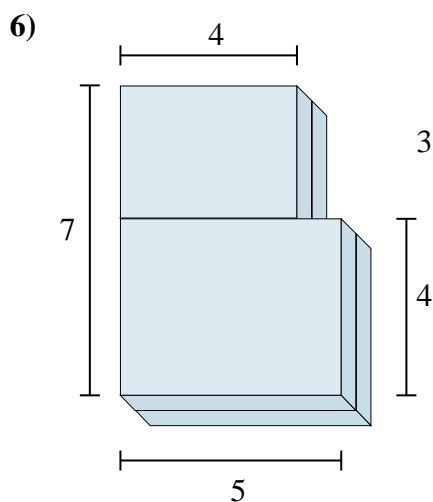
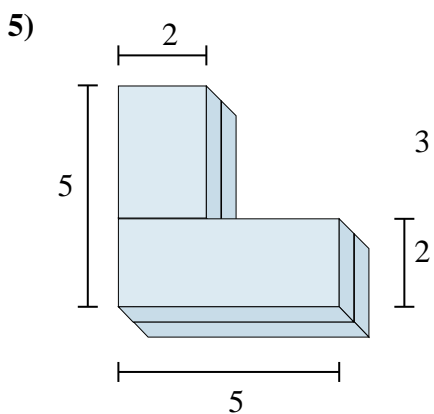
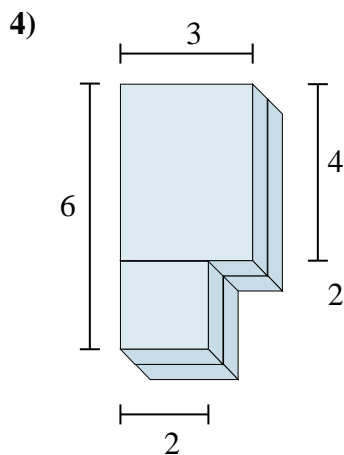
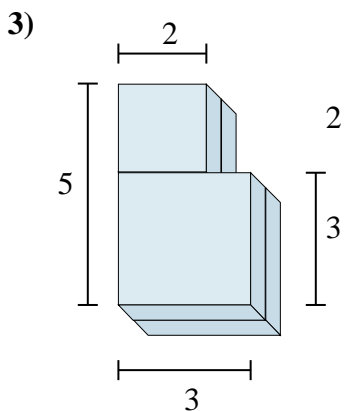
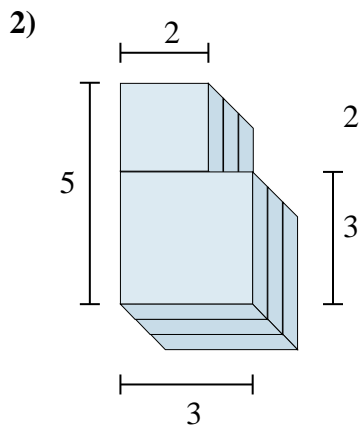
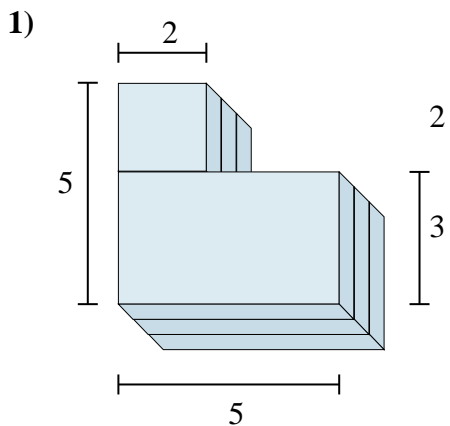
5. 32 cm³

6. 64 cm³



Find the total volume of each figure shown. Measured in cm (not to scale).

Answers

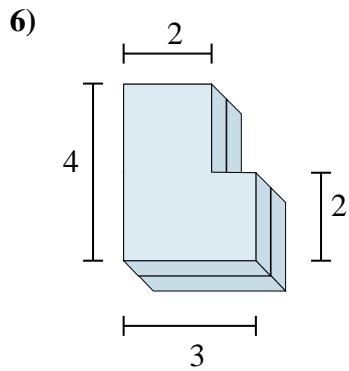
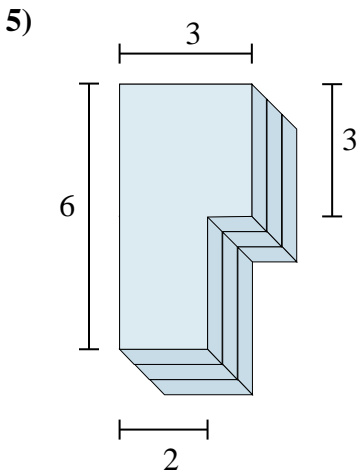
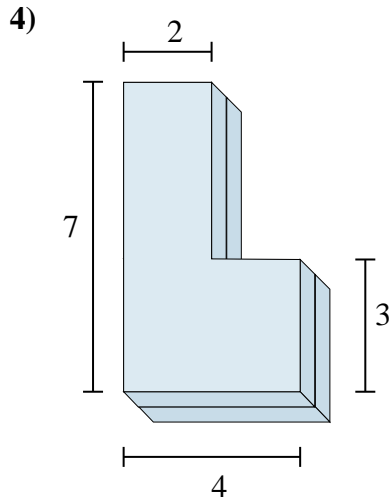
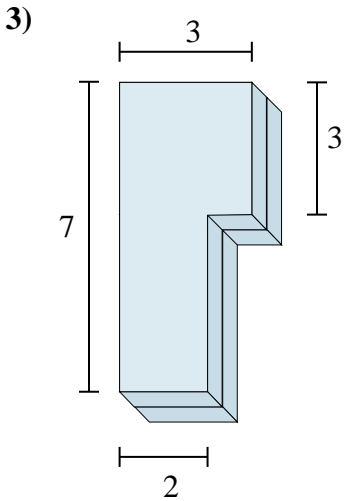
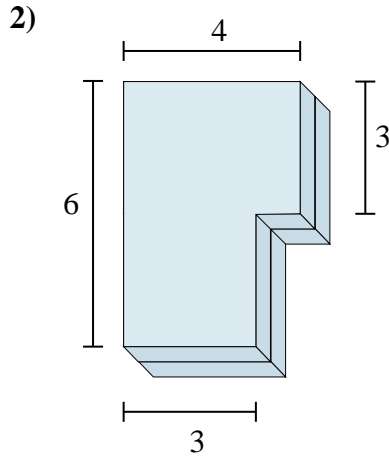
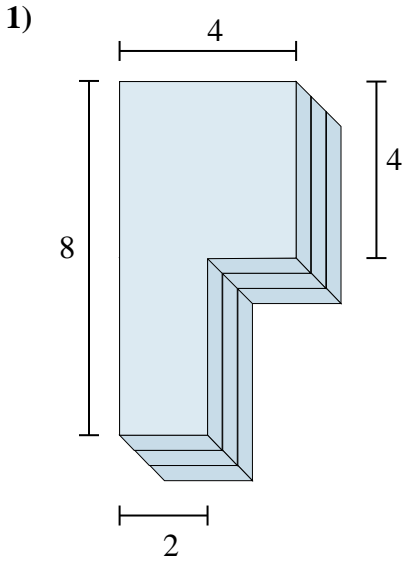


1. _____
2. _____
3. _____
4. _____
5. _____
6. _____



Find the total volume of each figure shown. Measured in cm (not to scale).

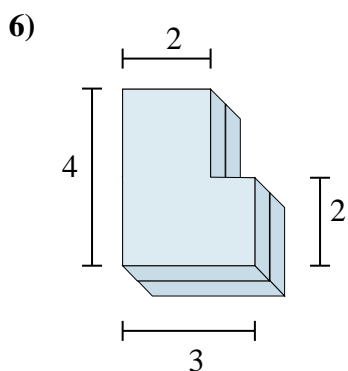
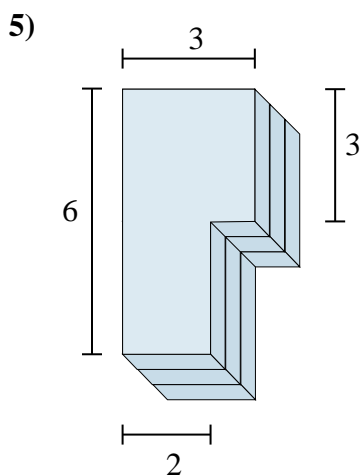
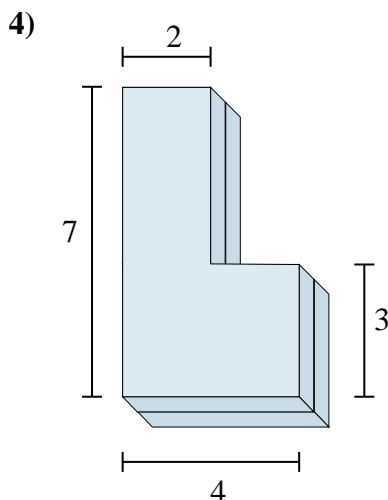
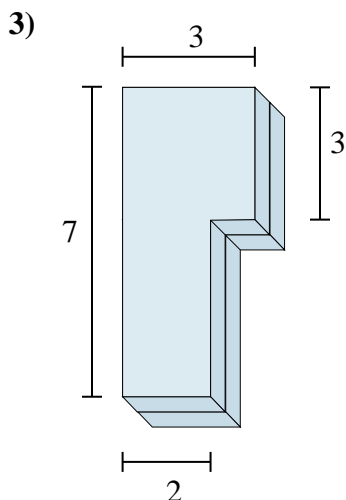
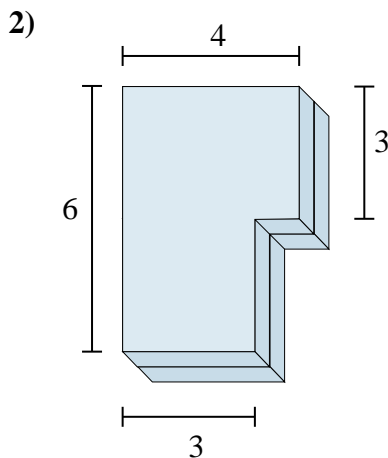
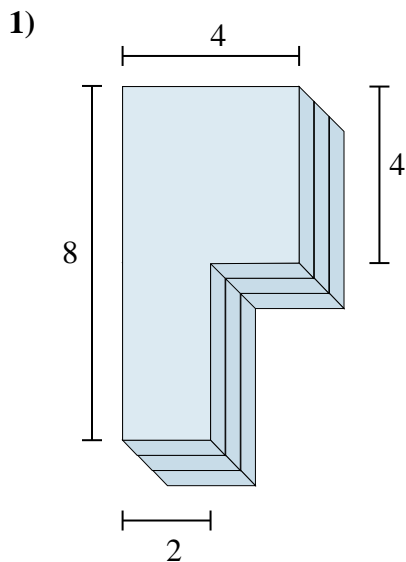
Answers



- 1. _____
- 2. _____
- 3. _____
- 4. _____
- 5. _____
- 6. _____



Find the total volume of each figure shown. Measured in cm (not to scale).



Answers

1. **72 cm³**

2. **42 cm³**

3. **34 cm³**

4. **40 cm³**

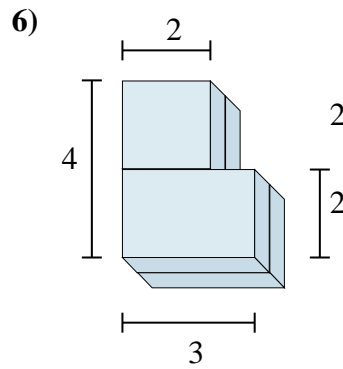
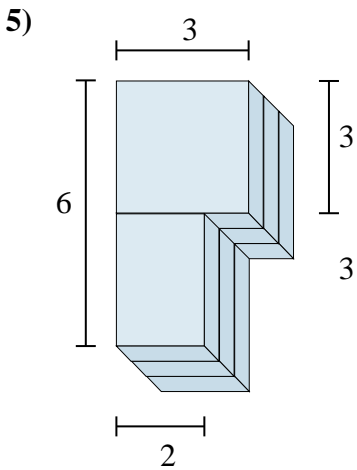
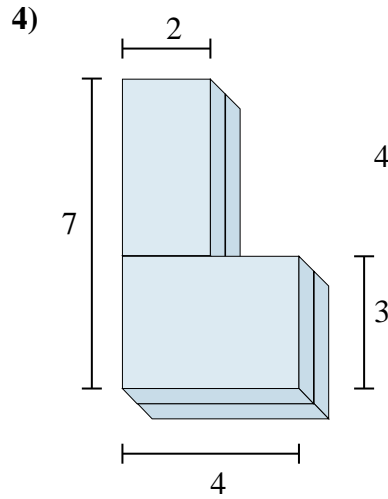
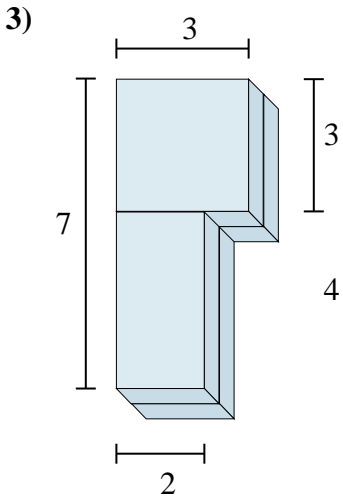
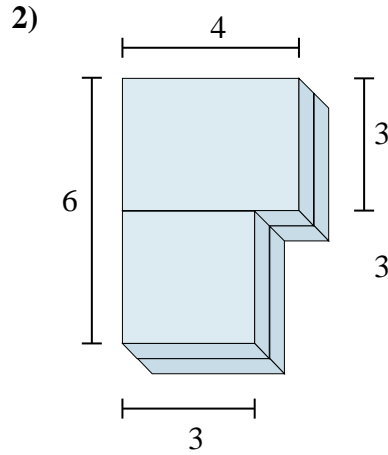
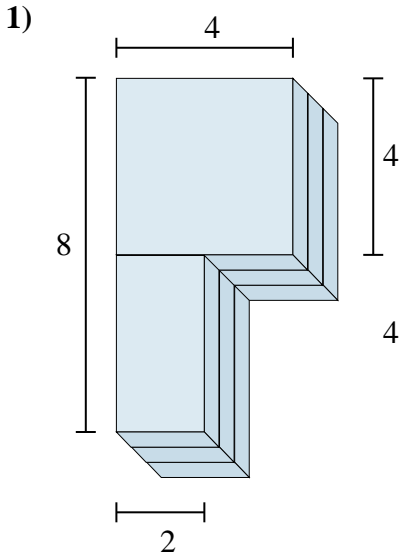
5. **45 cm³**

6. **20 cm³**



Find the total volume of each figure shown. Measured in cm (not to scale).

Answers

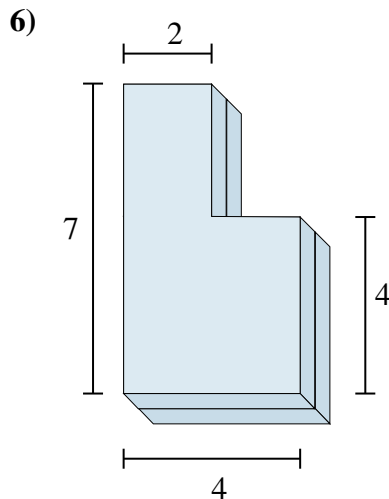
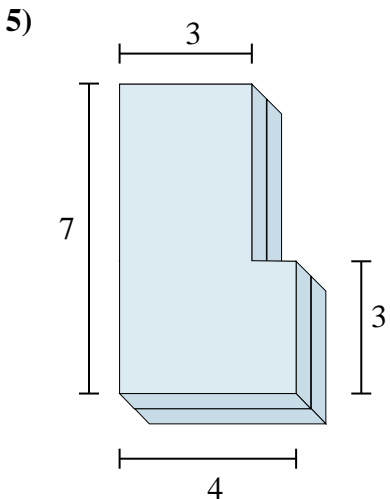
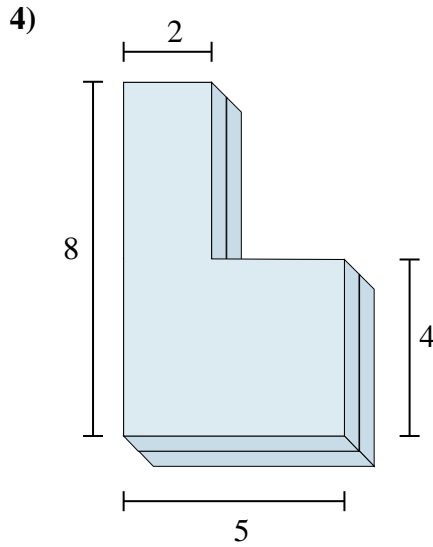
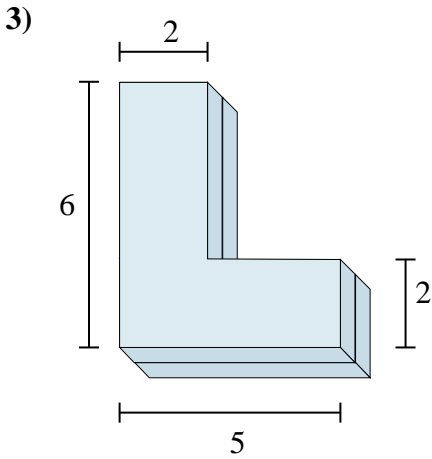
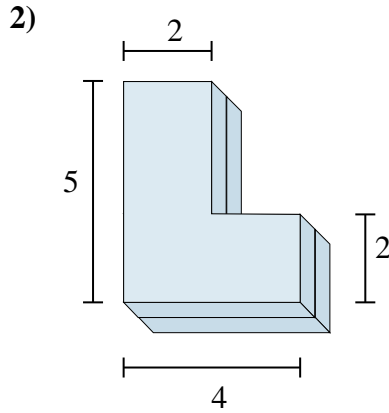
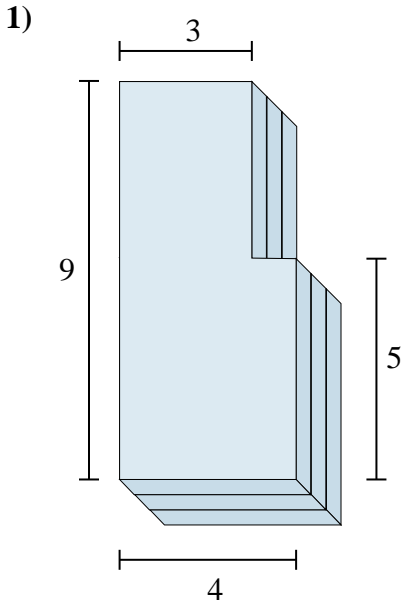


1. _____
2. _____
3. _____
4. _____
5. _____
6. _____



Find the total volume of each figure shown. Measured in cm (not to scale).

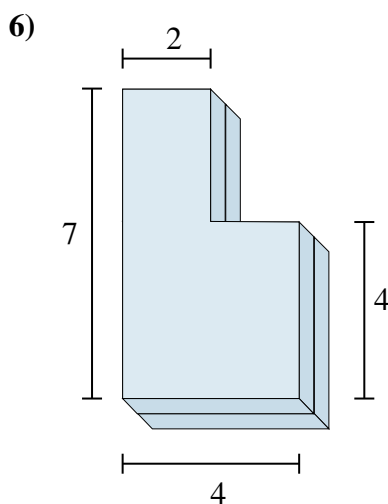
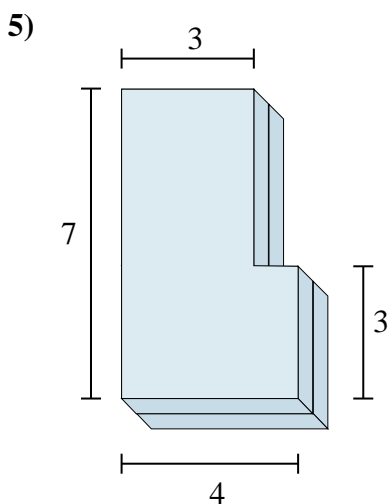
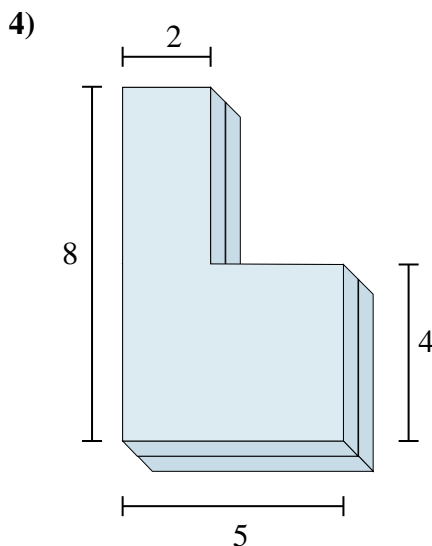
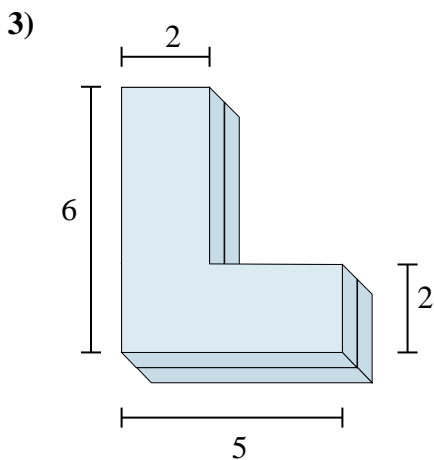
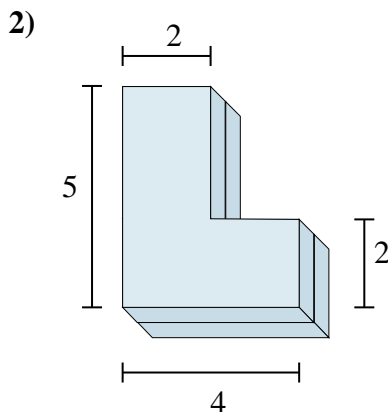
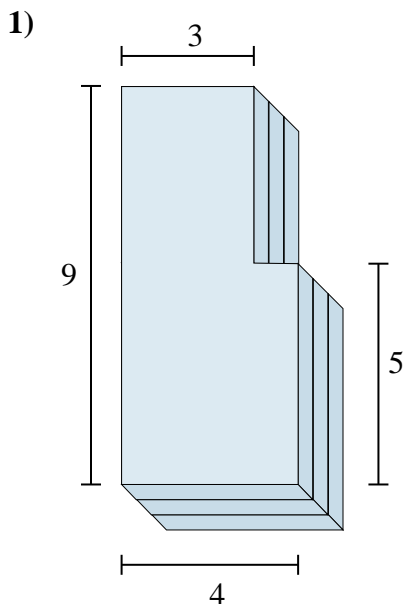
Answers



- 1. _____
- 2. _____
- 3. _____
- 4. _____
- 5. _____
- 6. _____



Find the total volume of each figure shown. Measured in cm (not to scale).



Answers

1. **96 cm³**

2. **28 cm³**

3. **36 cm³**

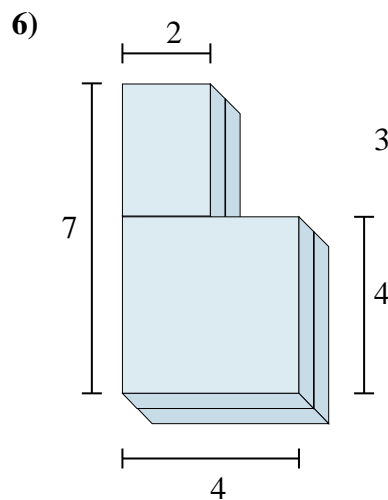
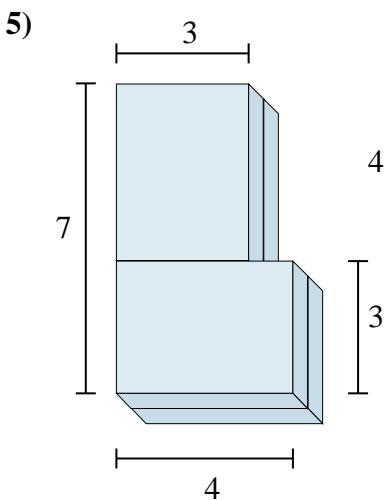
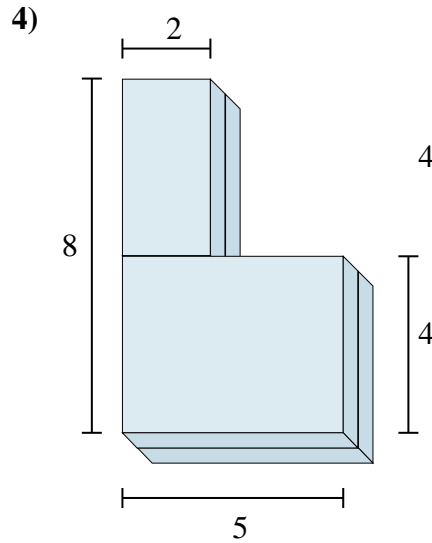
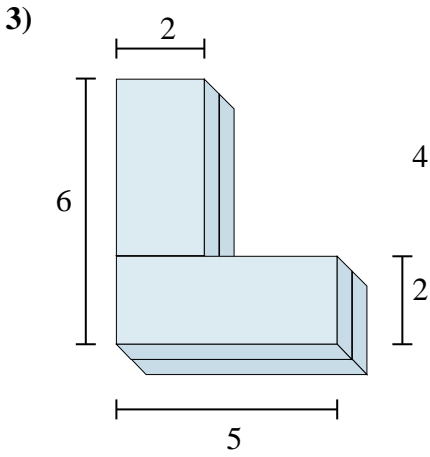
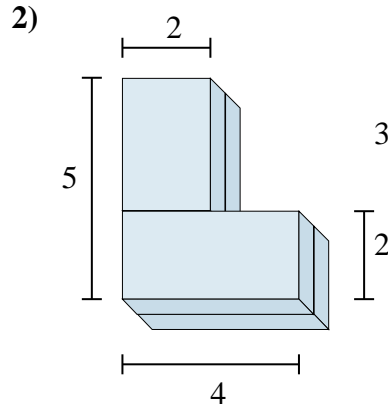
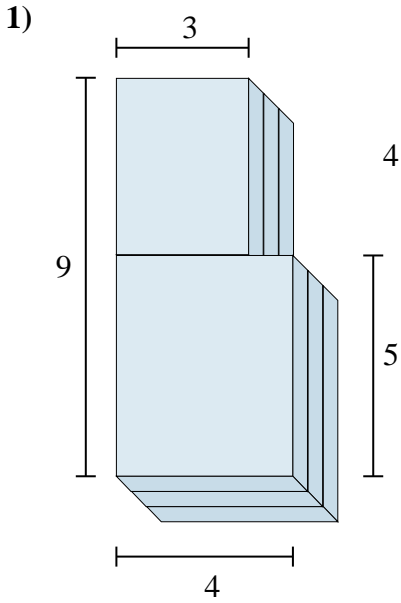
4. **56 cm³**

5. **48 cm³**

6. **44 cm³**



Find the total volume of each figure shown. Measured in cm (not to scale).



Answers

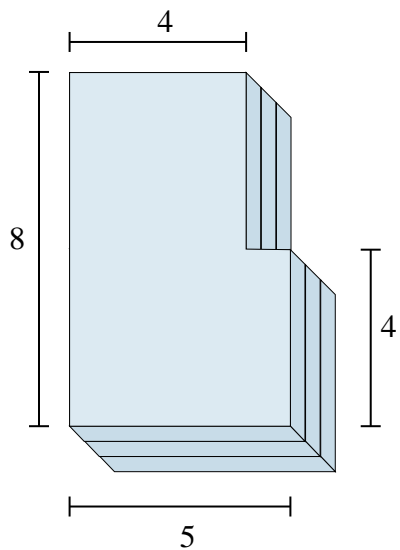
1. _____
2. _____
3. _____
4. _____
5. _____
6. _____



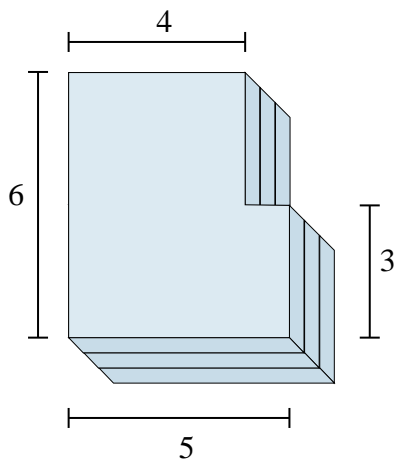
Find the total volume of each figure shown. Measured in cm (not to scale).

Answers

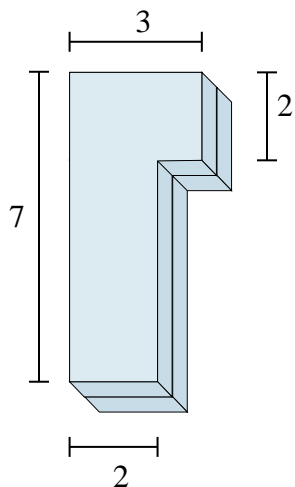
1)



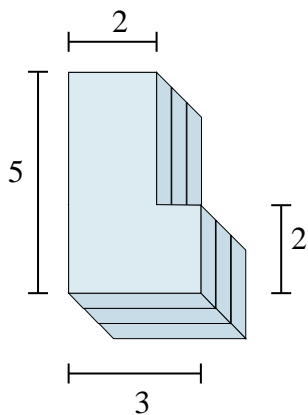
2)



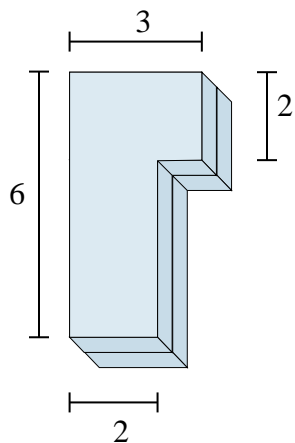
3)



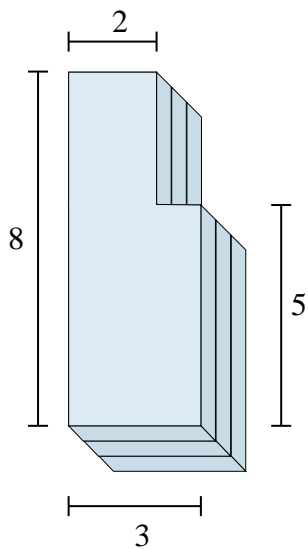
4)



5)



6)



1. _____

2. _____

3. _____

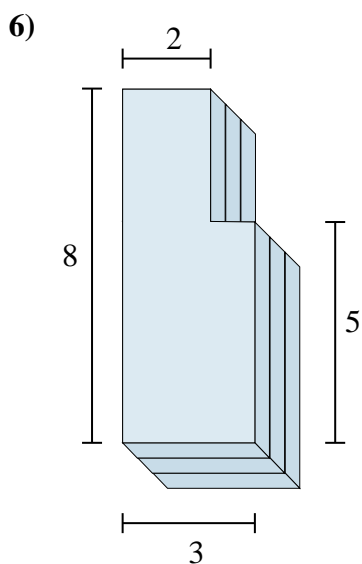
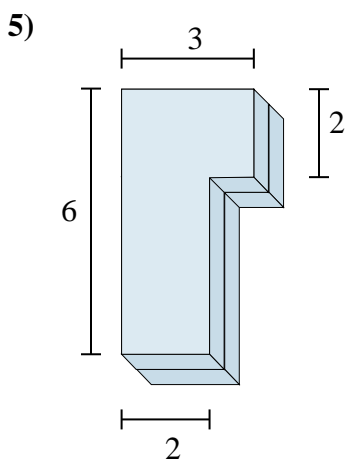
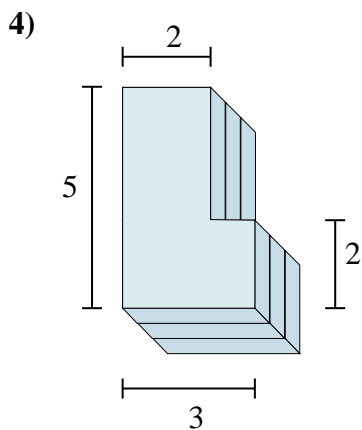
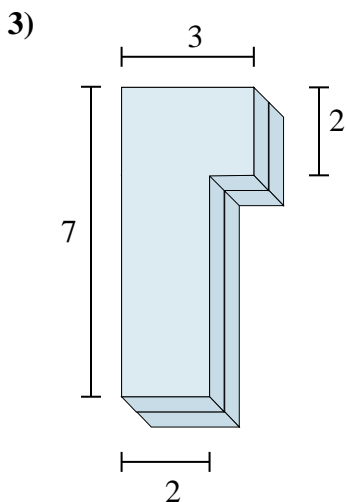
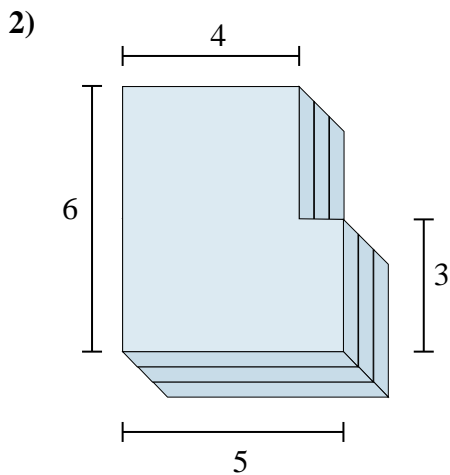
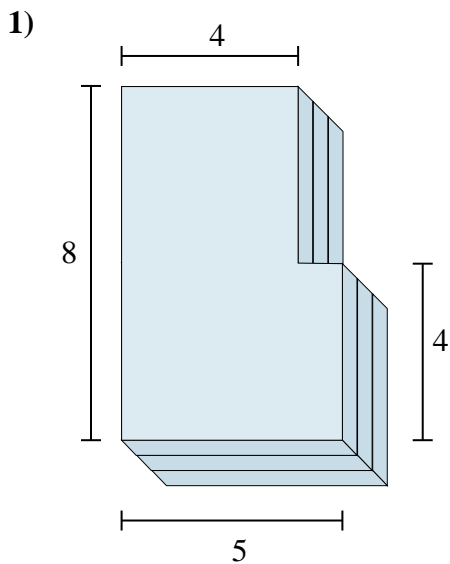
4. _____

5. _____

6. _____



Find the total volume of each figure shown. Measured in cm (not to scale).



Answers

1. **108 cm³**

2. **81 cm³**

3. **32 cm³**

4. **36 cm³**

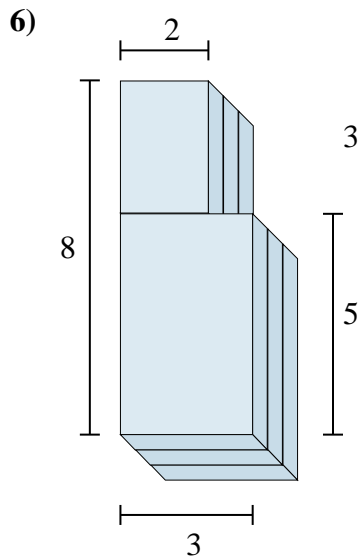
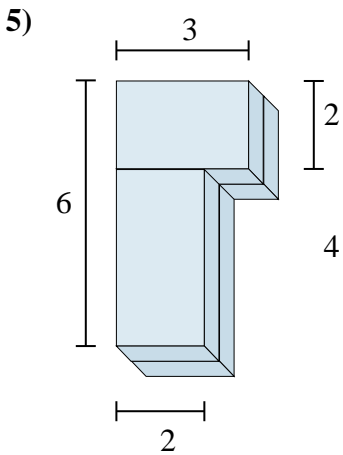
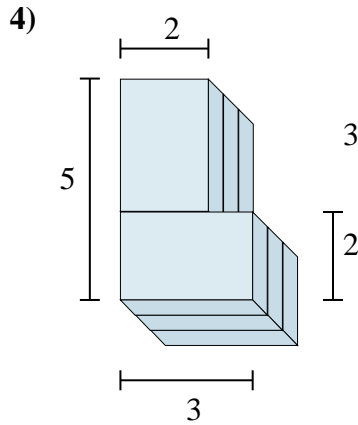
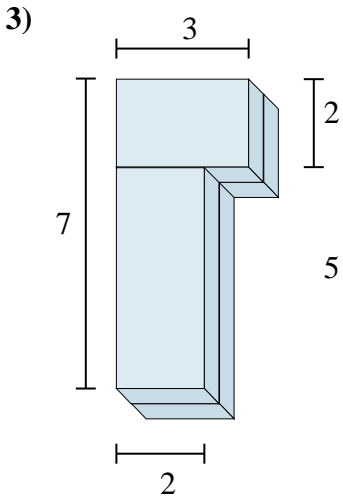
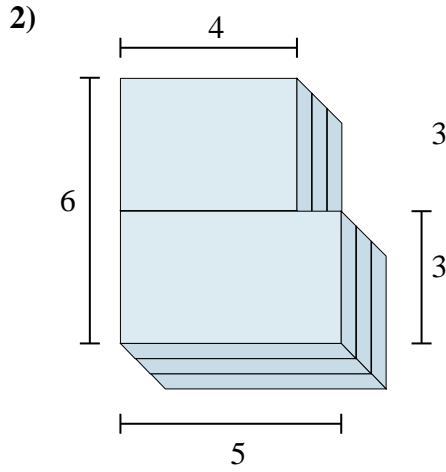
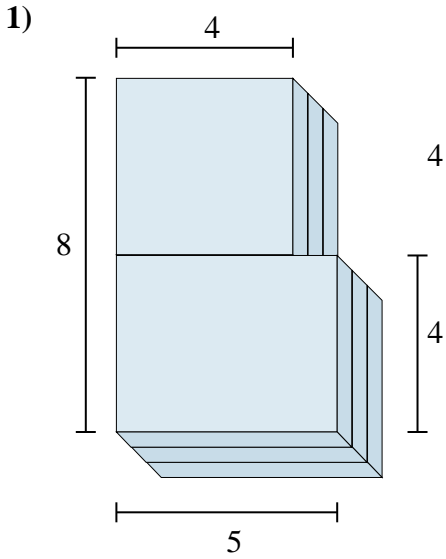
5. **28 cm³**

6. **63 cm³**



Find the total volume of each figure shown. Measured in cm (not to scale).

Answers

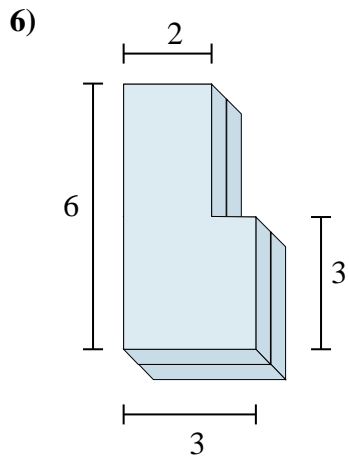
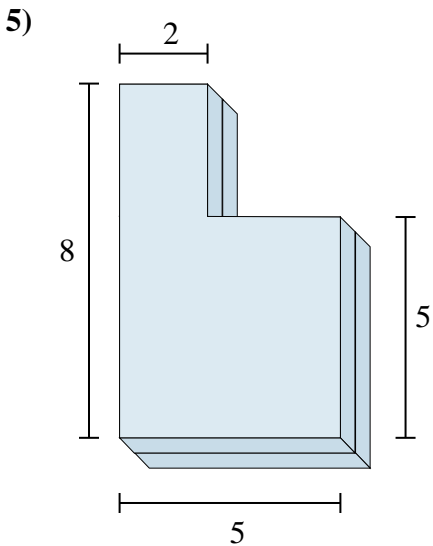
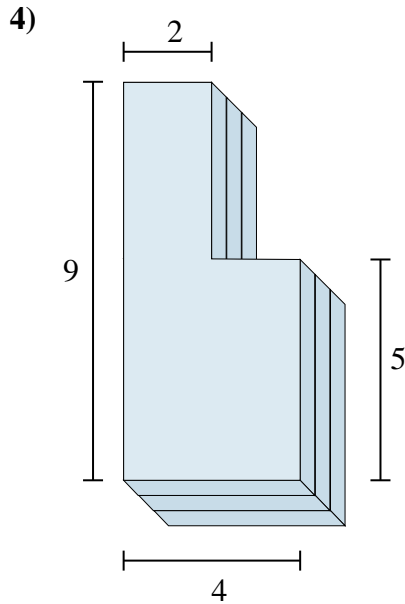
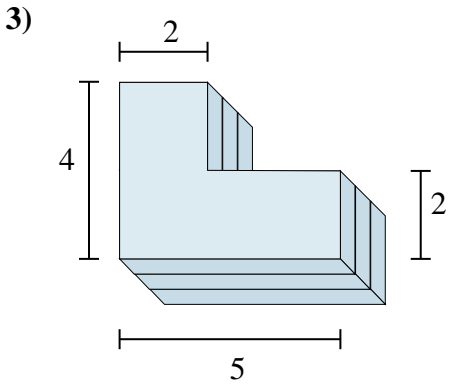
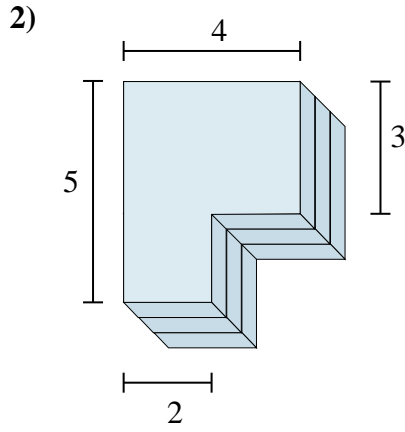
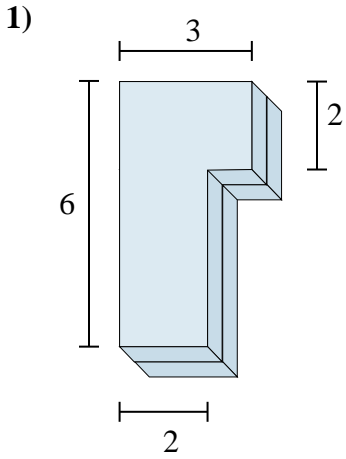


1. _____
2. _____
3. _____
4. _____
5. _____
6. _____



Find the total volume of each figure shown. Measured in cm (not to scale).

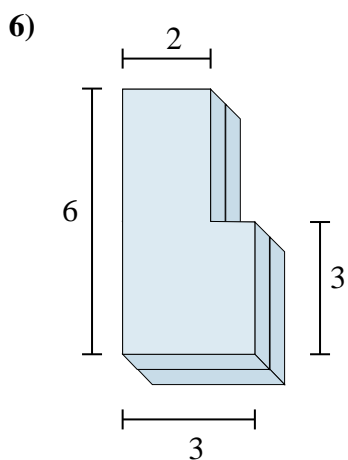
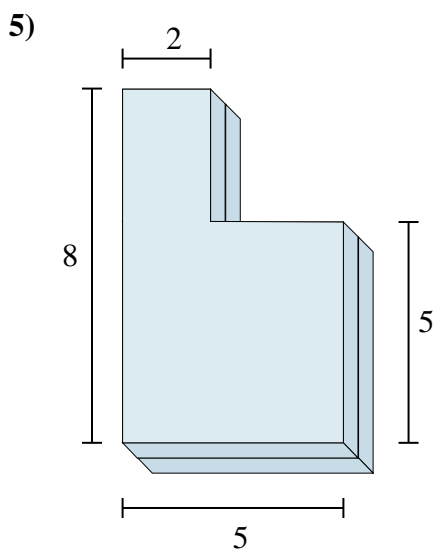
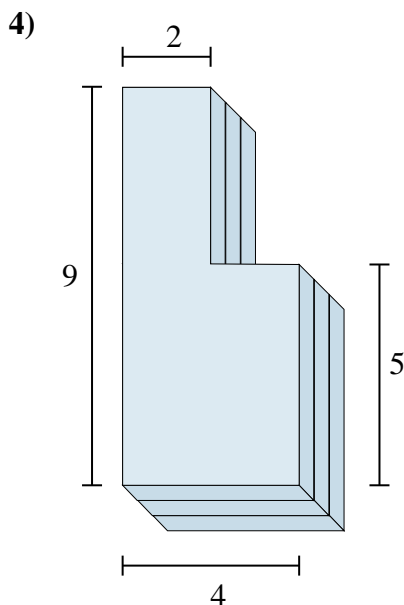
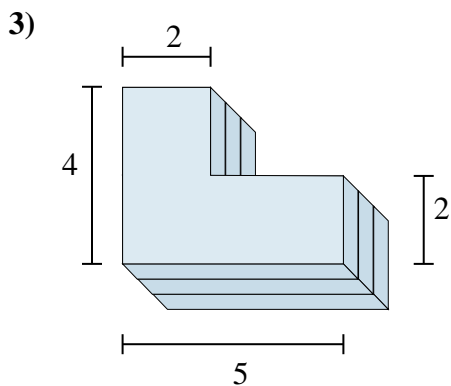
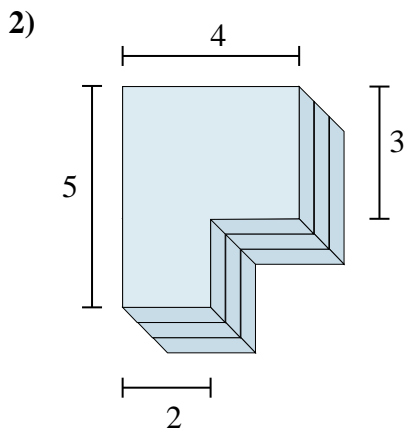
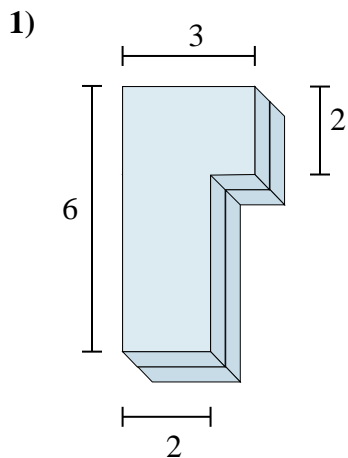
Answers



1. _____
2. _____
3. _____
4. _____
5. _____
6. _____



Find the total volume of each figure shown. Measured in cm (not to scale).



Answers

1. **28 cm³**

2. **48 cm³**

3. **42 cm³**

4. **84 cm³**

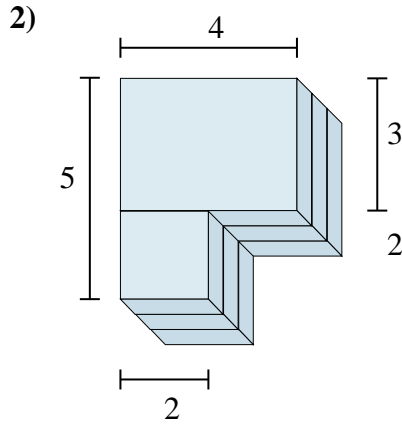
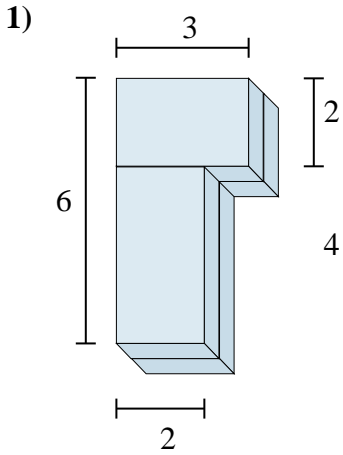
5. **62 cm³**

6. **30 cm³**



Find the total volume of each figure shown. Measured in cm (not to scale).

Answers



1. _____

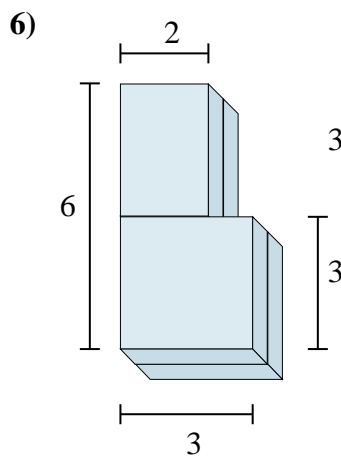
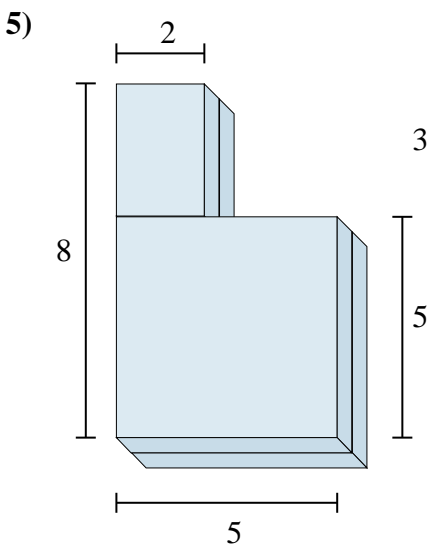
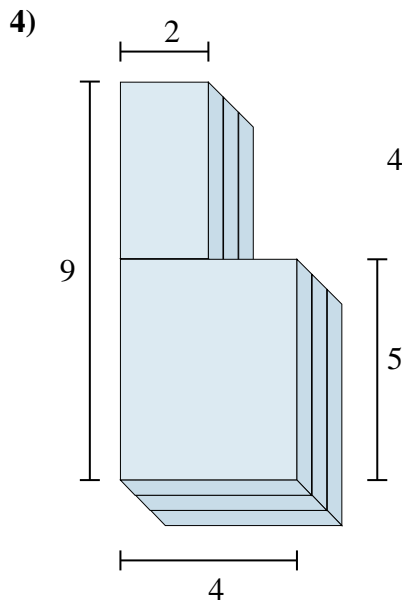
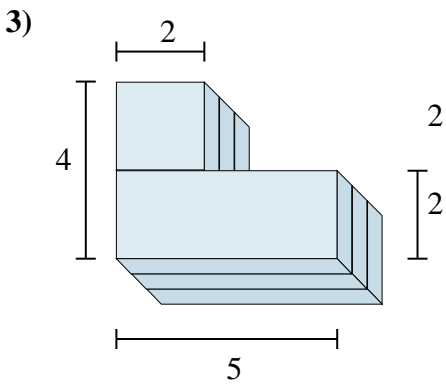
2. _____

3. _____

4. _____

5. _____

6. _____

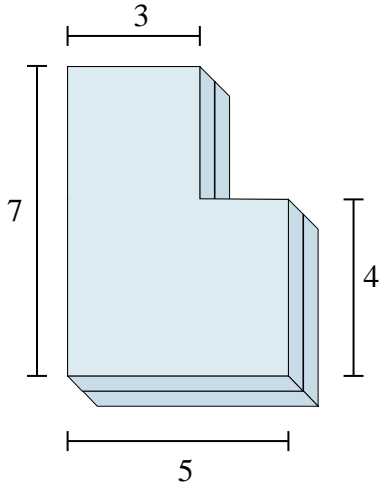




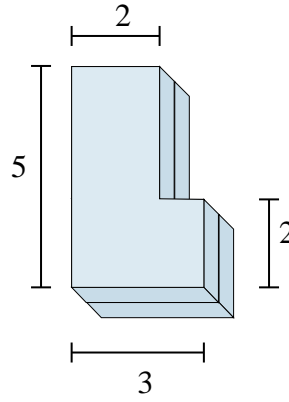
Find the total volume of each figure shown. Measured in cm (not to scale).

Answers

1)



2)



1. _____

2. _____

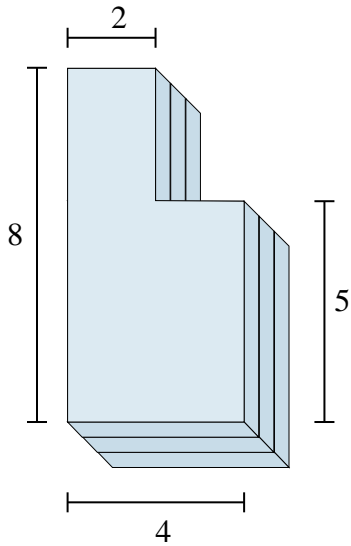
3. _____

4. _____

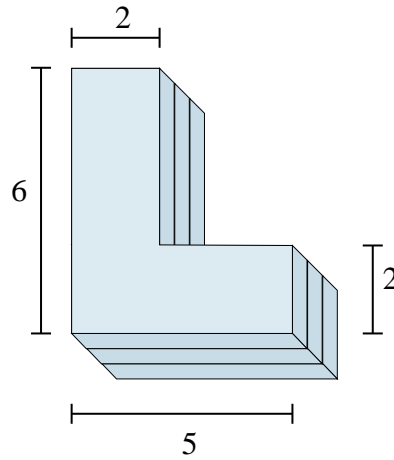
5. _____

6. _____

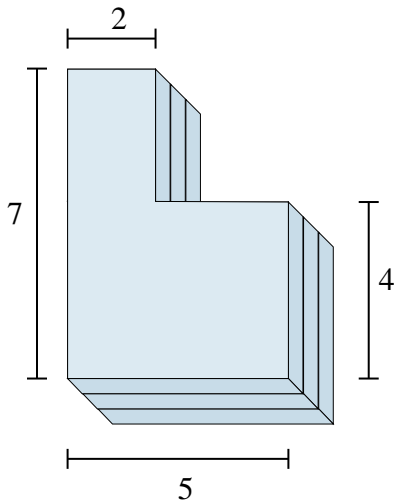
3)



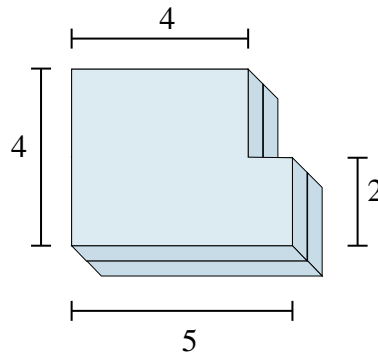
4)



5)

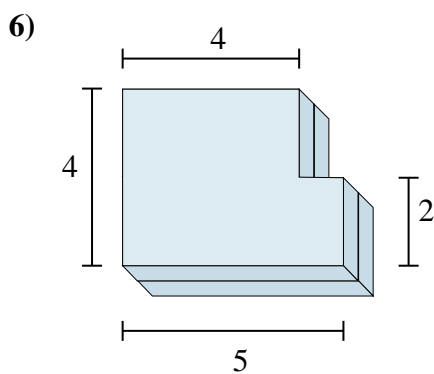
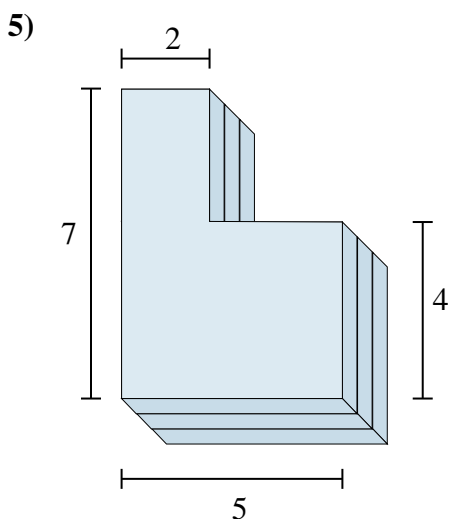
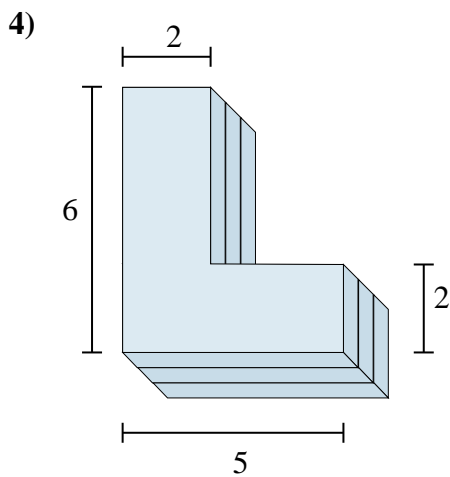
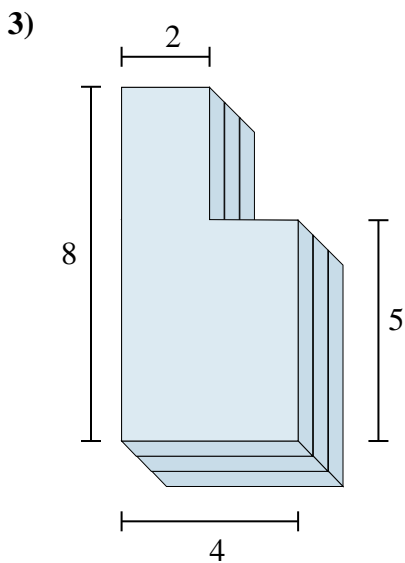
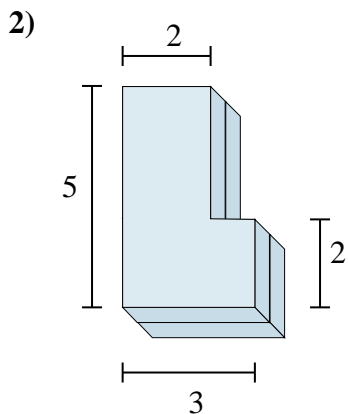
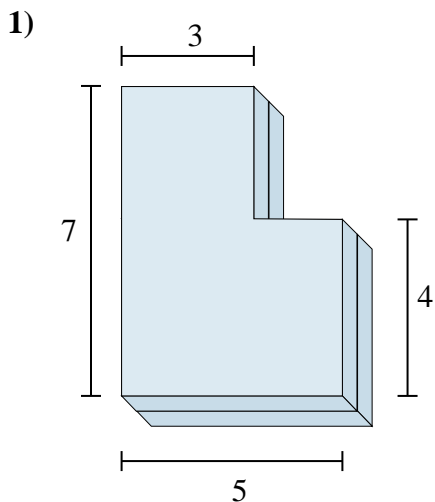


6)





Find the total volume of each figure shown. Measured in cm (not to scale).



Answers

1. **58 cm³**

2. **24 cm³**

3. **78 cm³**

4. **54 cm³**

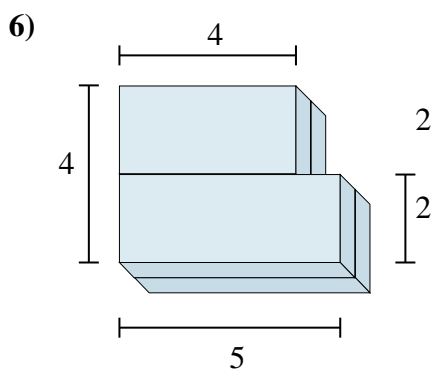
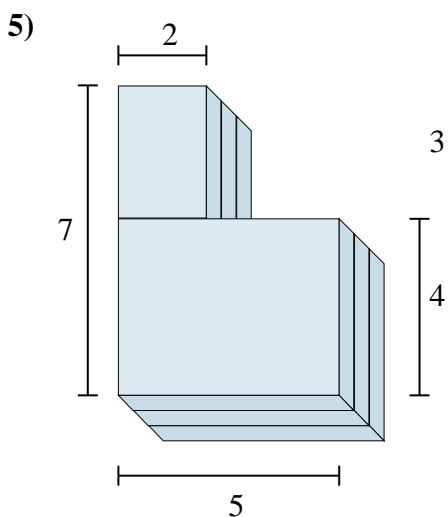
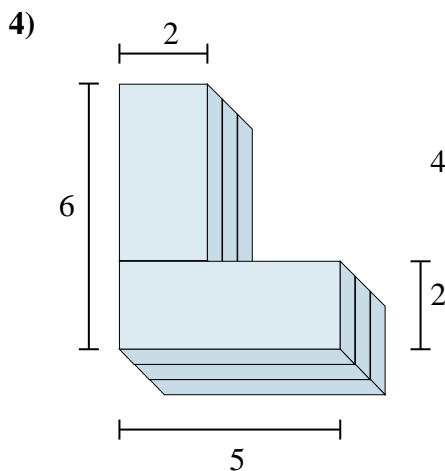
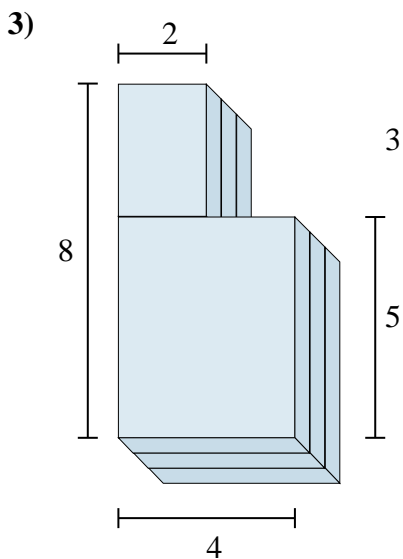
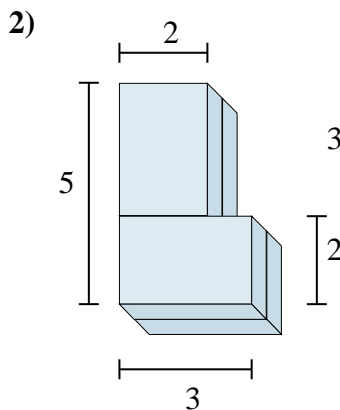
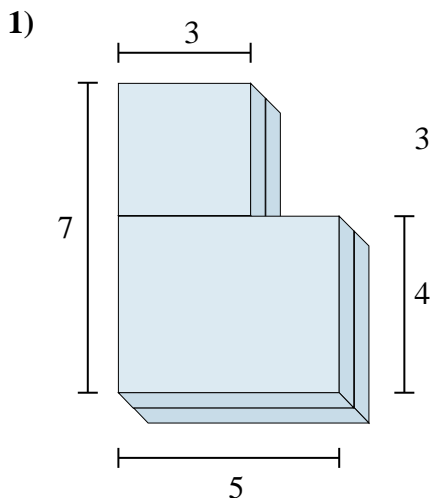
5. **78 cm³**

6. **36 cm³**



Find the total volume of each figure shown. Measured in cm (not to scale).

Answers

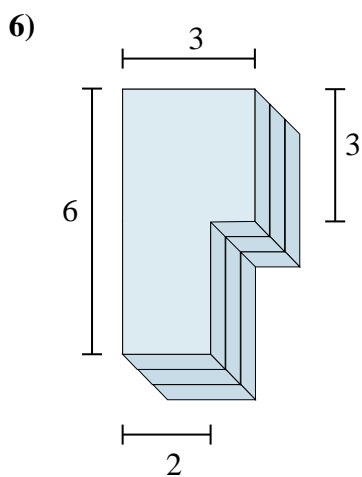
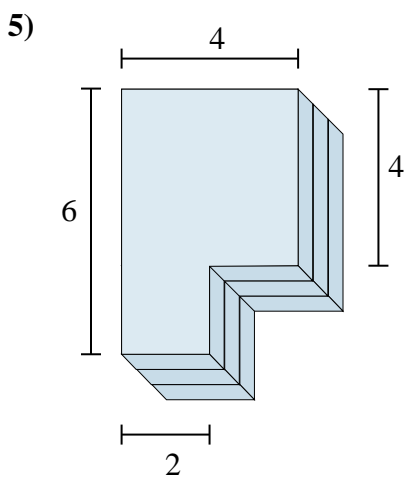
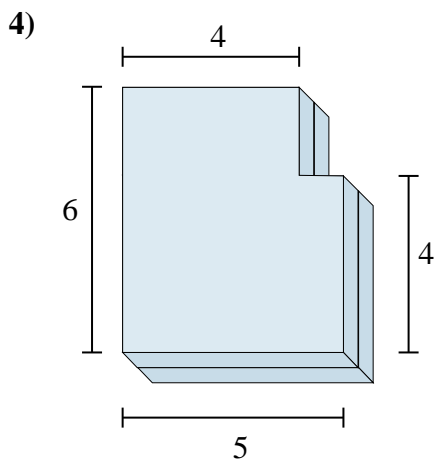
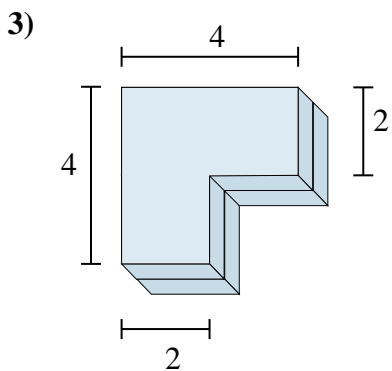
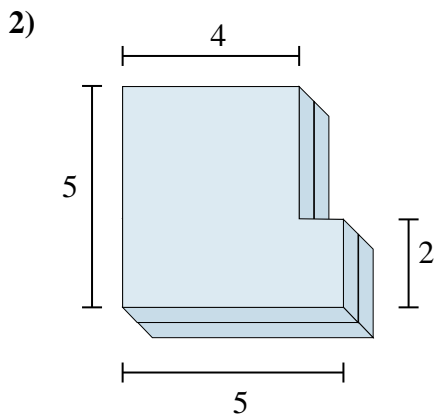
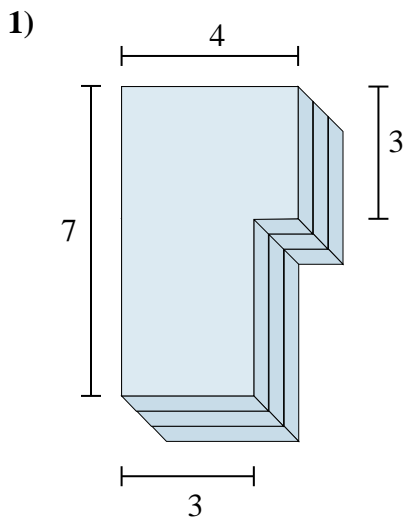


1. _____
2. _____
3. _____
4. _____
5. _____
6. _____



Find the total volume of each figure shown. Measured in cm (not to scale).

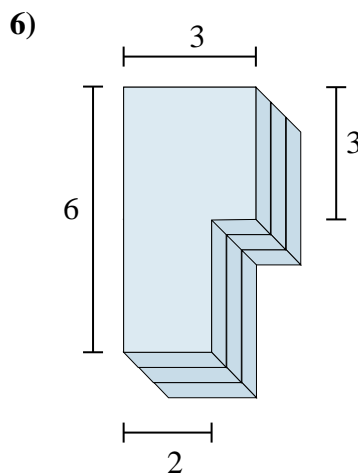
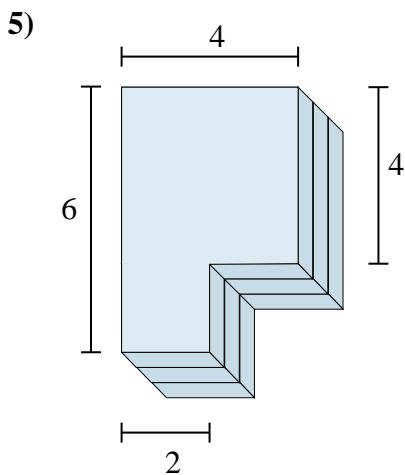
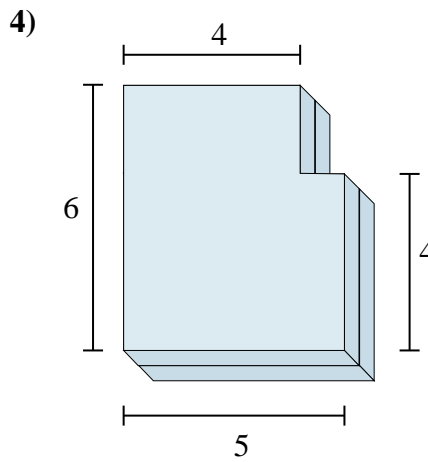
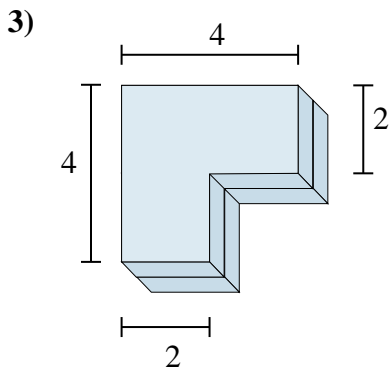
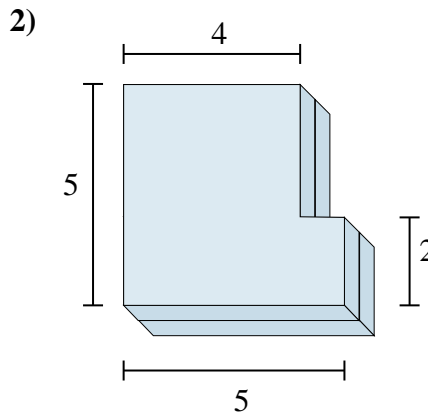
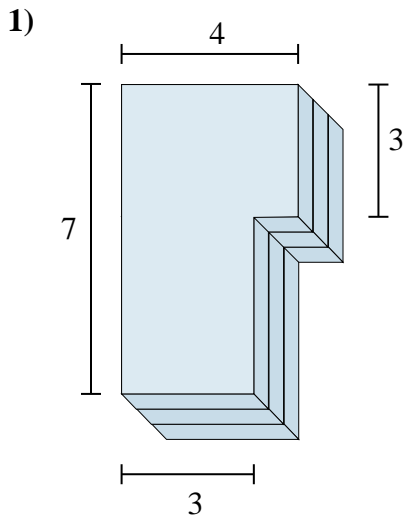
Answers



- 1. _____
- 2. _____
- 3. _____
- 4. _____
- 5. _____
- 6. _____



Find the total volume of each figure shown. Measured in cm (not to scale).



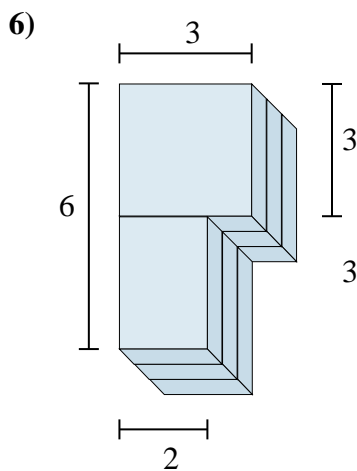
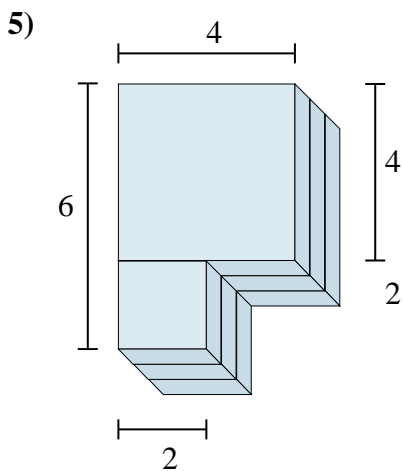
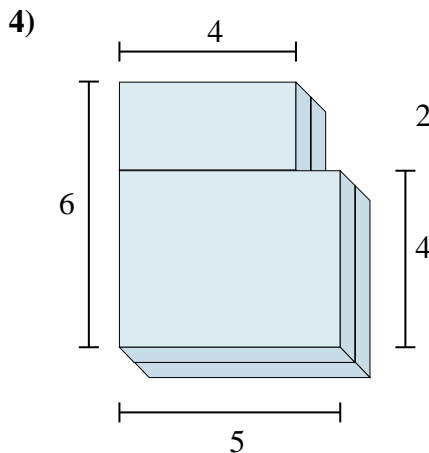
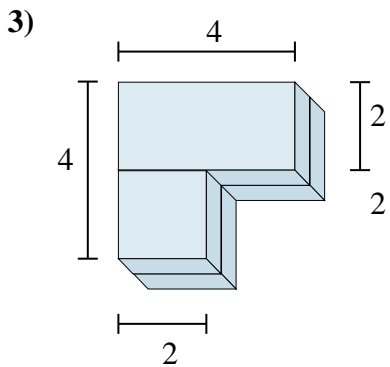
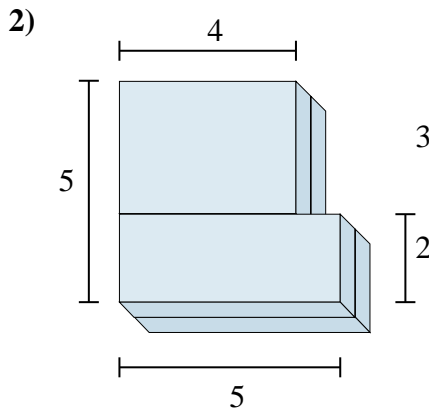
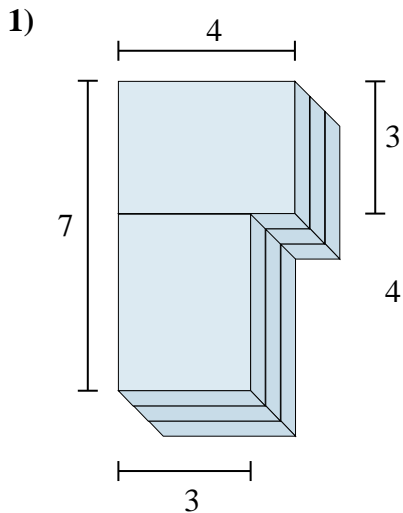
Answers

1. 72 cm³
2. 44 cm³
3. 24 cm³
4. 56 cm³
5. 60 cm³
6. 45 cm³



Find the total volume of each figure shown. Measured in cm (not to scale).

Answers



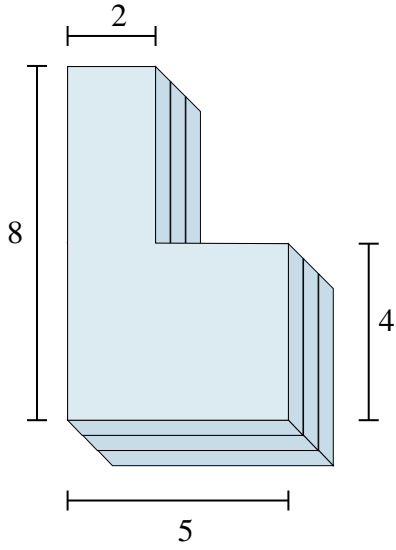
1. _____
2. _____
3. _____
4. _____
5. _____
6. _____



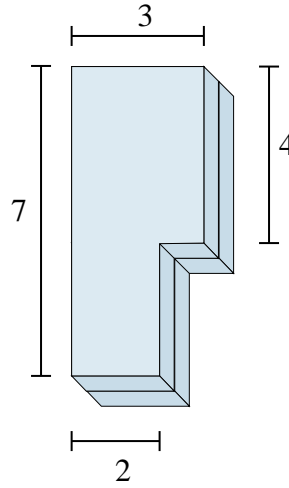
Find the total volume of each figure shown. Measured in cm (not to scale).

Answers

1)



2)



1. _____

2. _____

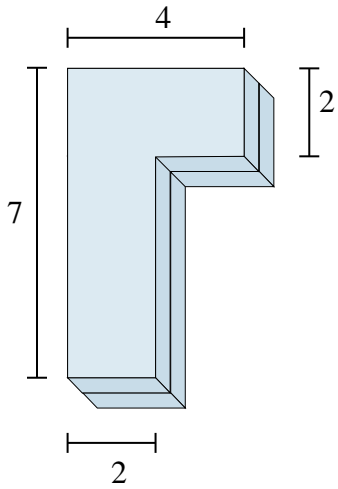
3. _____

4. _____

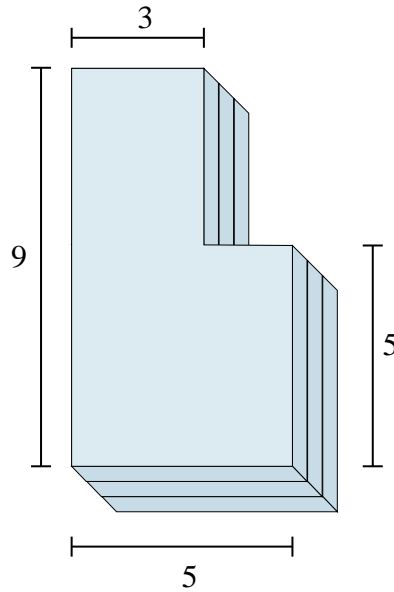
5. _____

6. _____

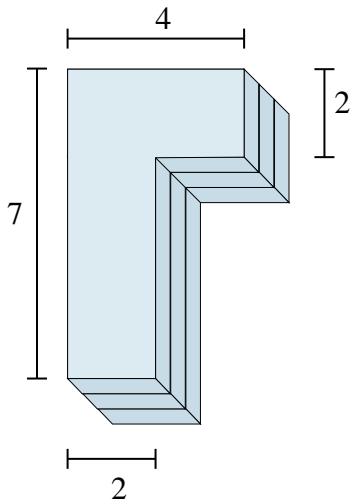
3)



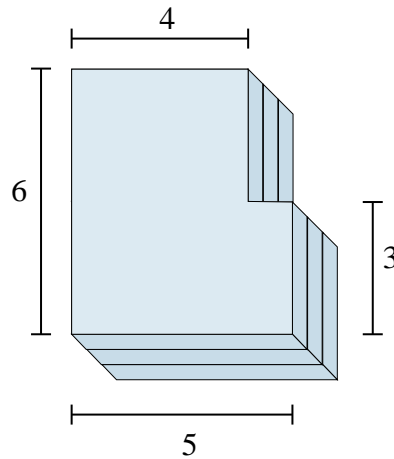
4)



5)

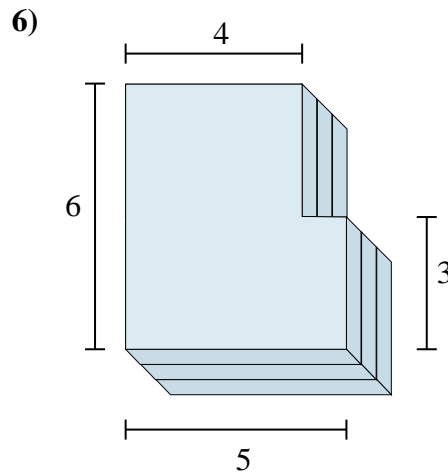
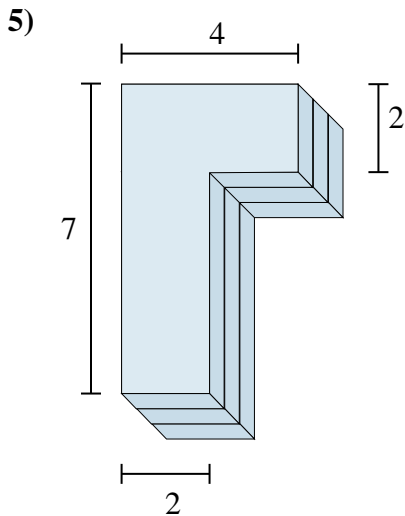
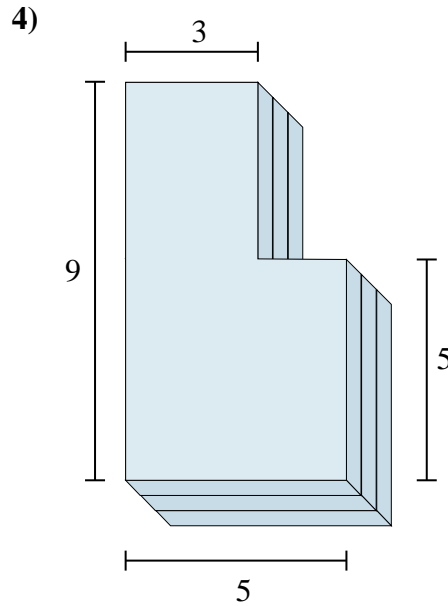
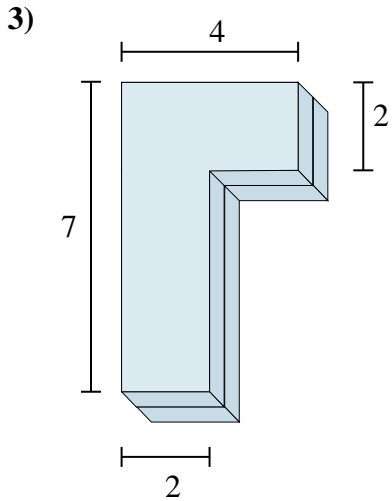
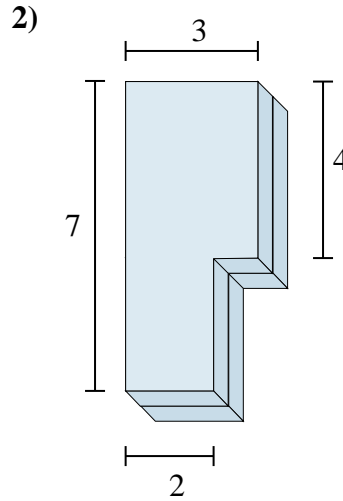
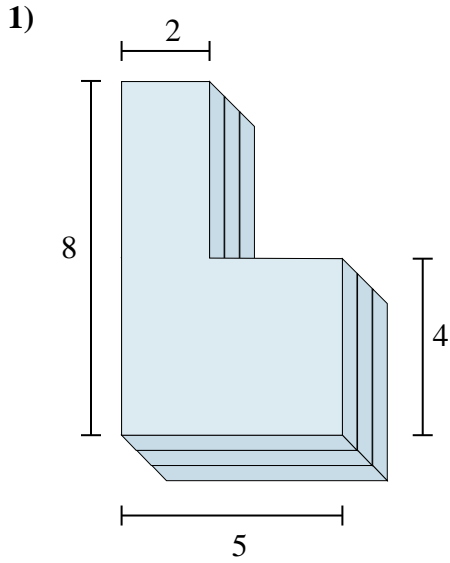


6)





Find the total volume of each figure shown. Measured in cm (not to scale).



Answers

1. 84 cm³

2. 36 cm³

3. 36 cm³

4. 111 cm³

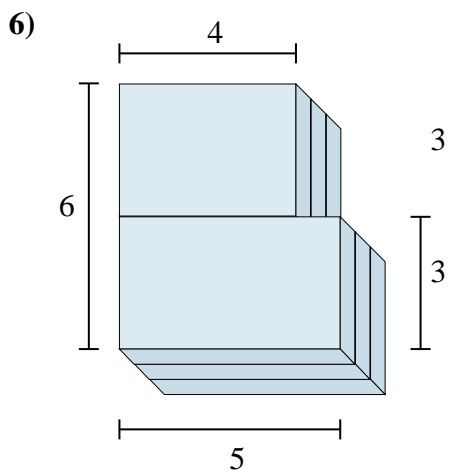
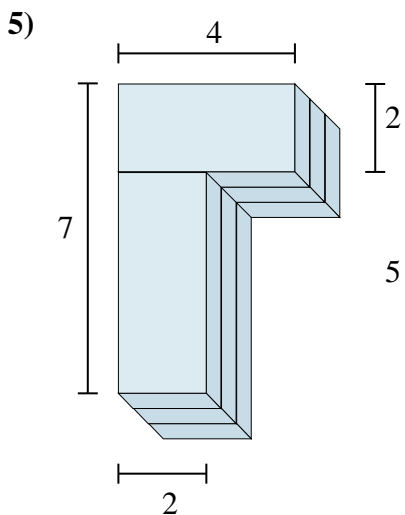
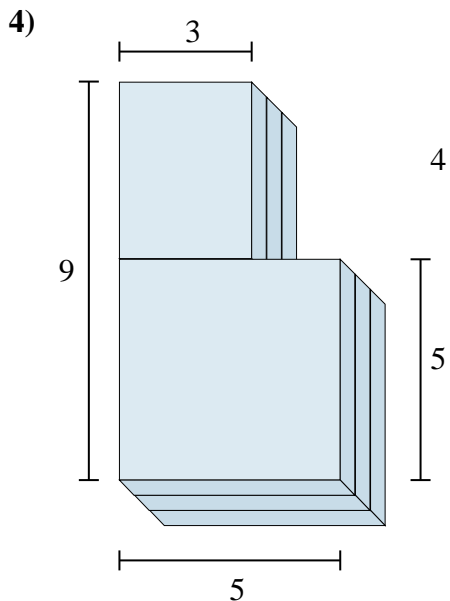
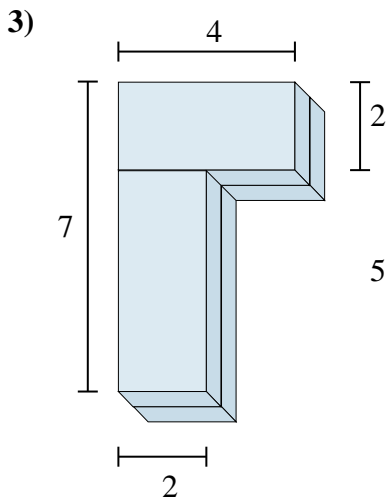
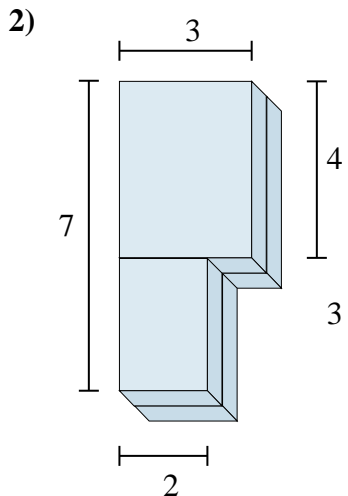
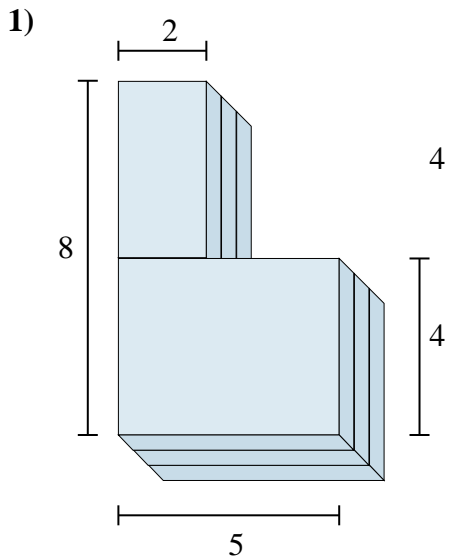
5. 54 cm³

6. 81 cm³



Find the total volume of each figure shown. Measured in cm (not to scale).

Answers

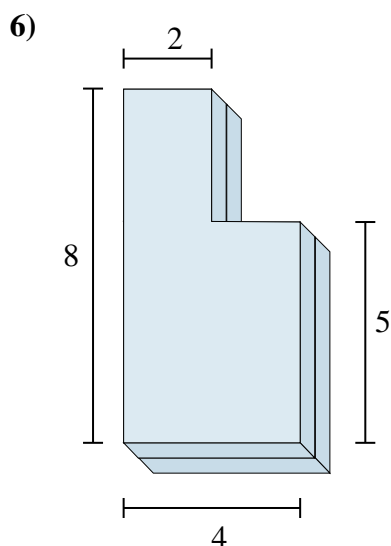
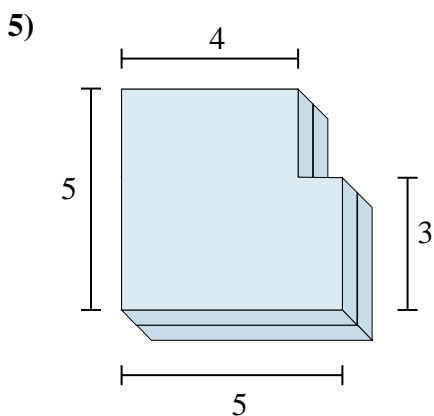
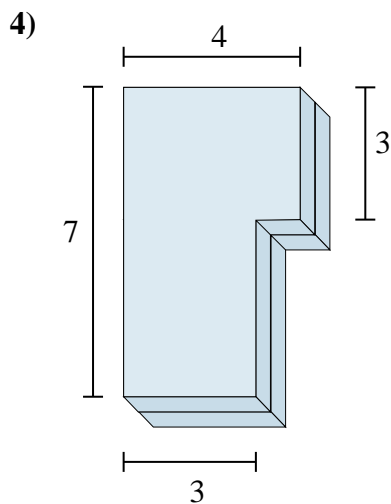
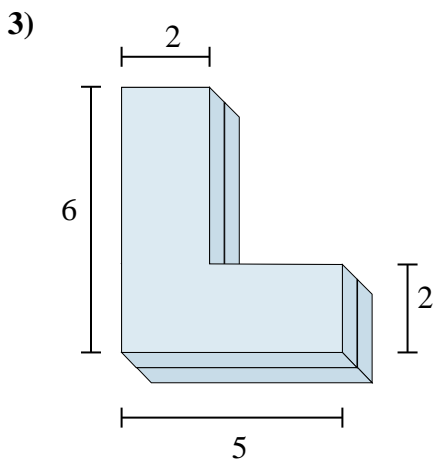
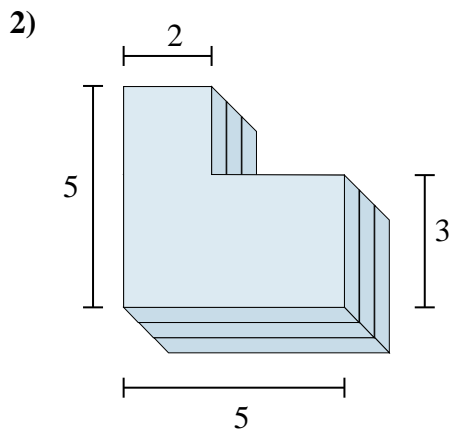
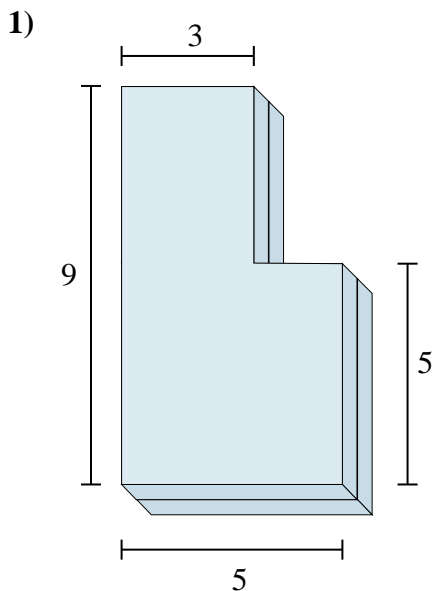


1. _____
2. _____
3. _____
4. _____
5. _____
6. _____



Find the total volume of each figure shown. Measured in cm (not to scale).

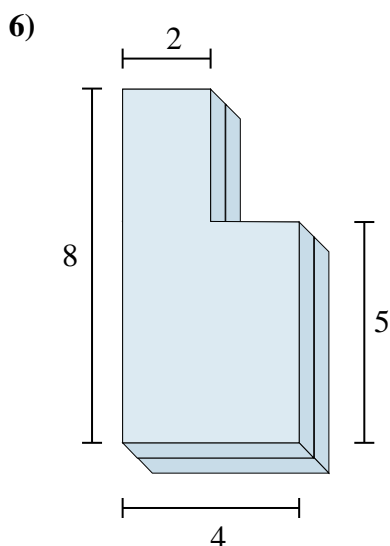
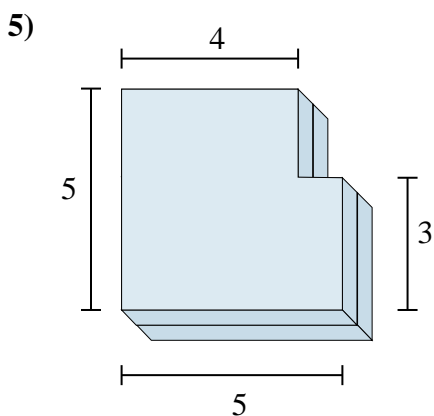
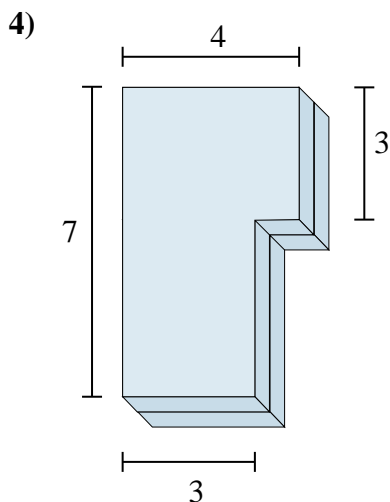
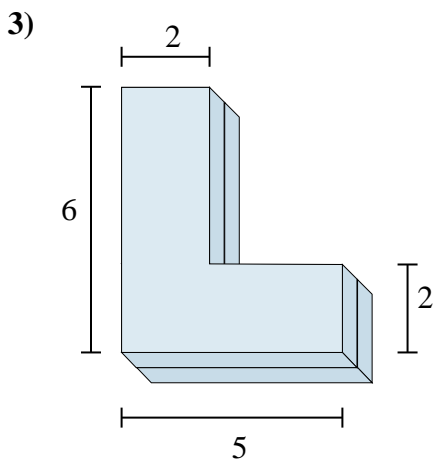
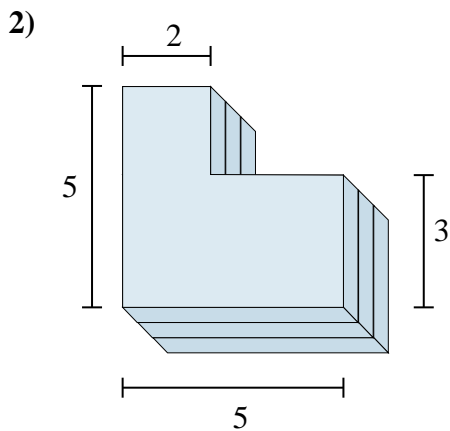
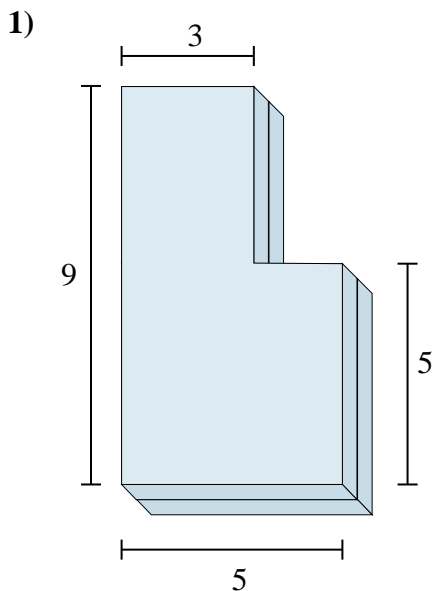
Answers



- 1. _____
- 2. _____
- 3. _____
- 4. _____
- 5. _____
- 6. _____



Find the total volume of each figure shown. Measured in cm (not to scale).



Answers

1. 74 cm³

2. 57 cm³

3. 36 cm³

4. 48 cm³

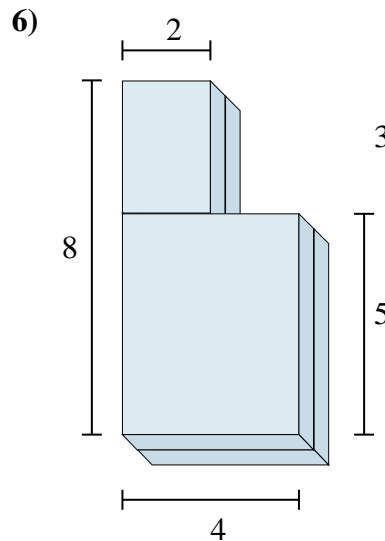
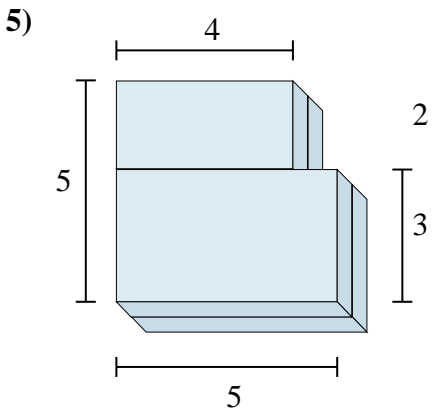
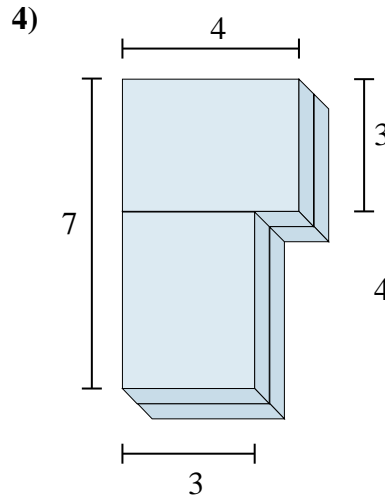
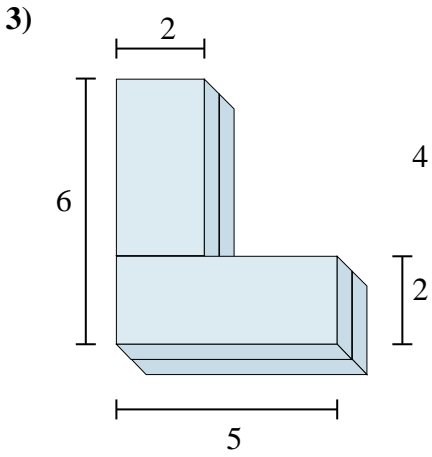
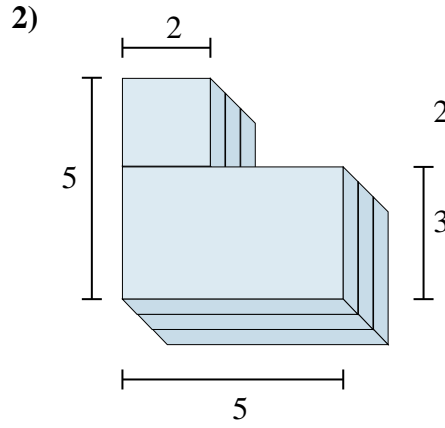
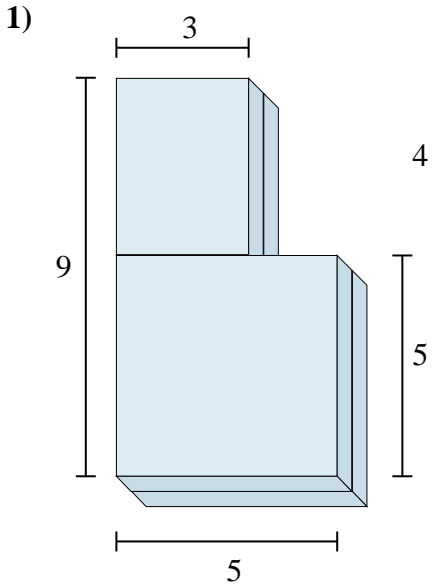
5. 46 cm³

6. 52 cm³



Find the total volume of each figure shown. Measured in cm (not to scale).

Answers



1. _____
2. _____
3. _____
4. _____
5. _____
6. _____