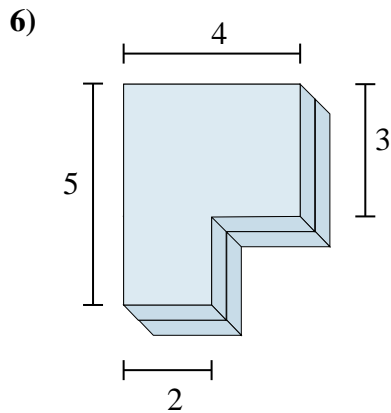
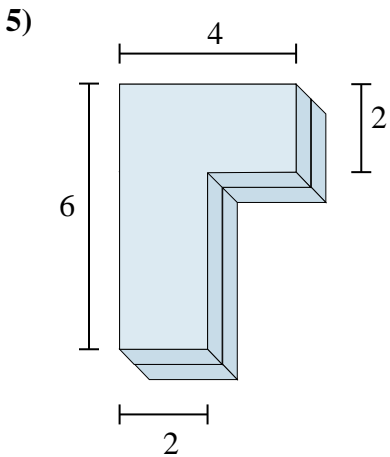
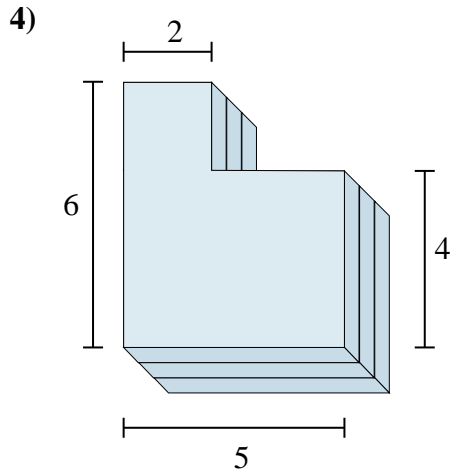
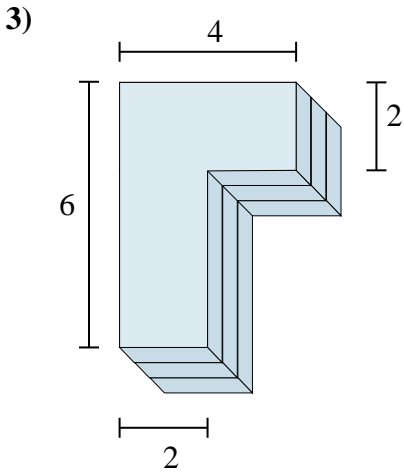
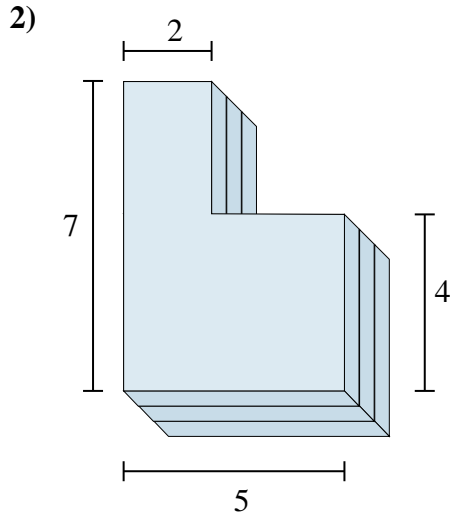
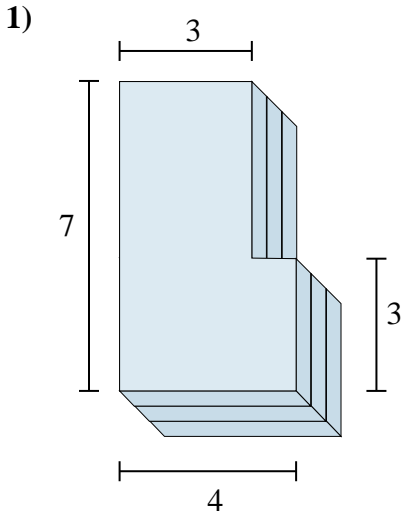




Find the total volume of each figure shown. Measured in cm (not to scale).

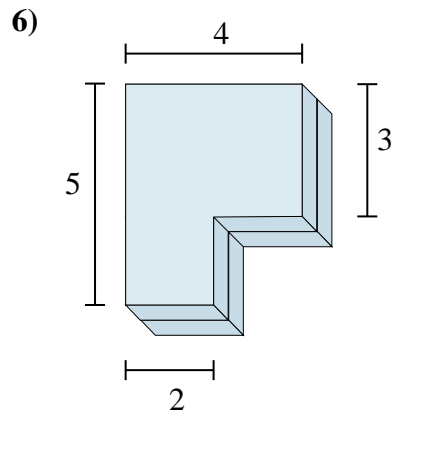
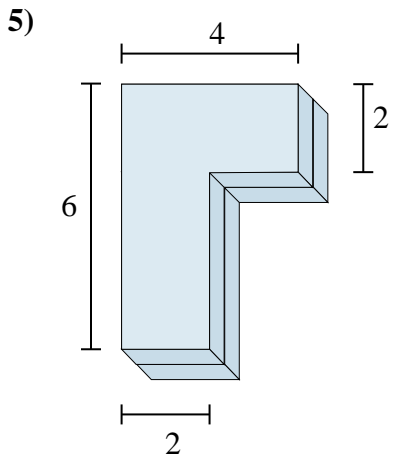
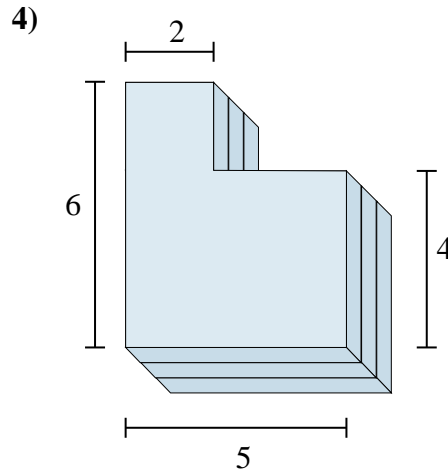
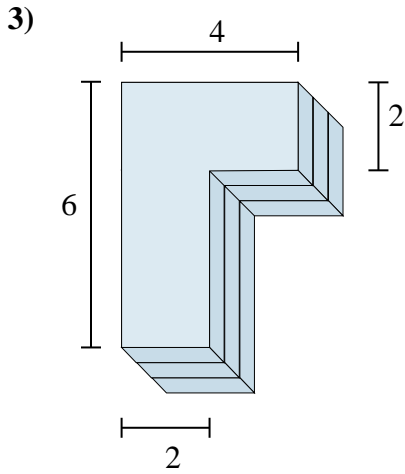
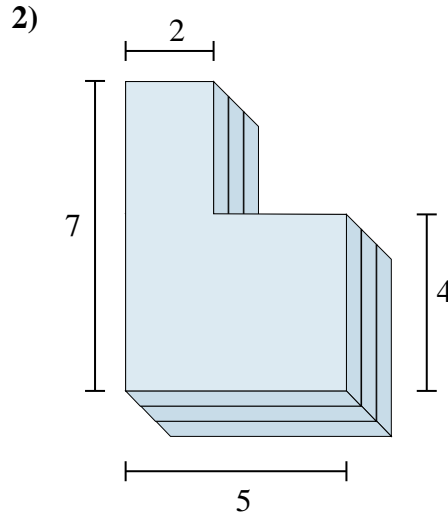
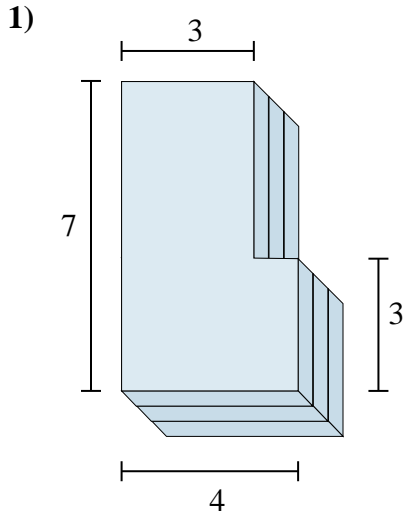
Answers



- 1. _____
- 2. _____
- 3. _____
- 4. _____
- 5. _____
- 6. _____



Find the total volume of each figure shown. Measured in cm (not to scale).



Answers

1. **72 cm³**

2. **78 cm³**

3. **48 cm³**

4. **72 cm³**

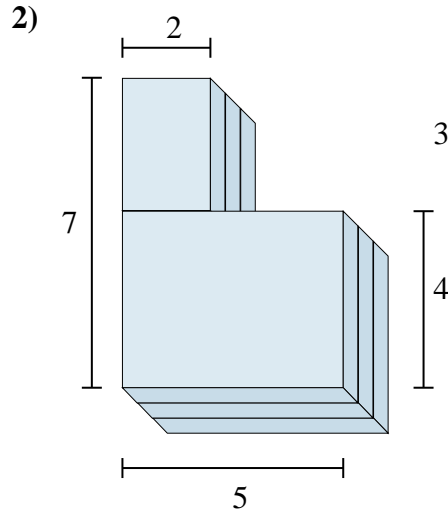
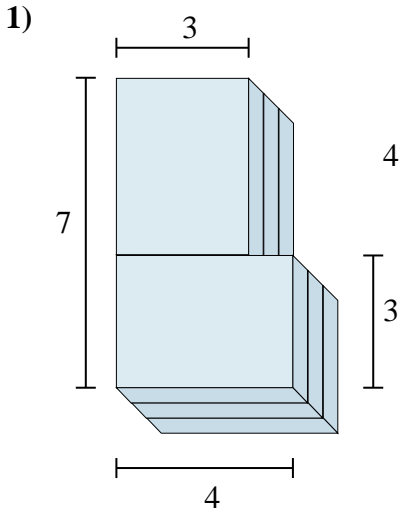
5. **32 cm³**

6. **32 cm³**



Find the total volume of each figure shown. Measured in cm (not to scale).

Answers



- 1. _____
- 2. _____
- 3. _____
- 4. _____
- 5. _____
- 6. _____

